



FUHI INDUSTRIAL, INC.

CHAIN CATALOG

ANSI Standard

Roller Chain

Single, Double, Triple Strand

Extended Pitches

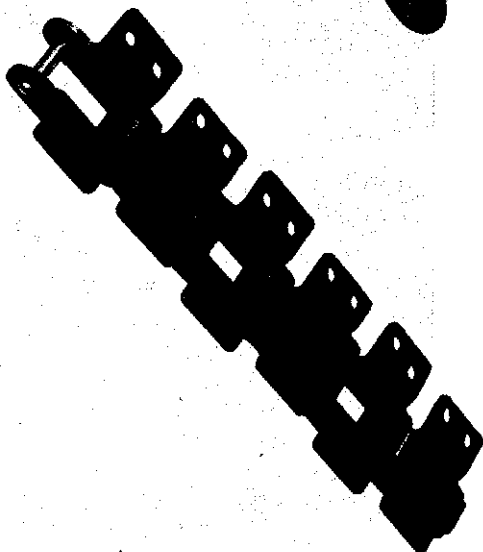
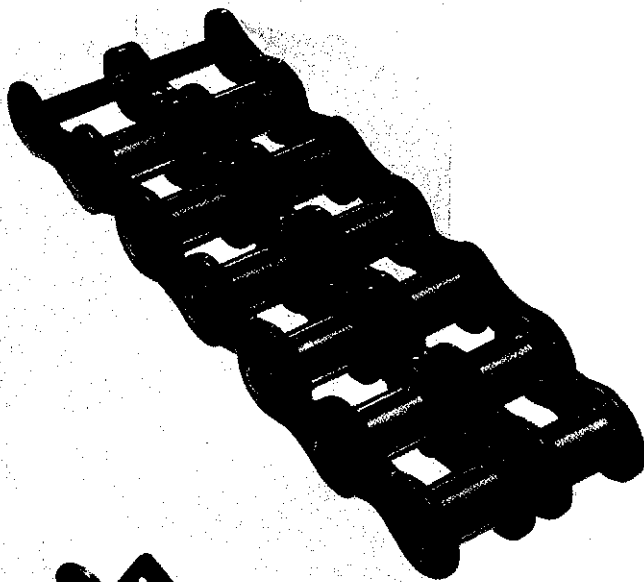
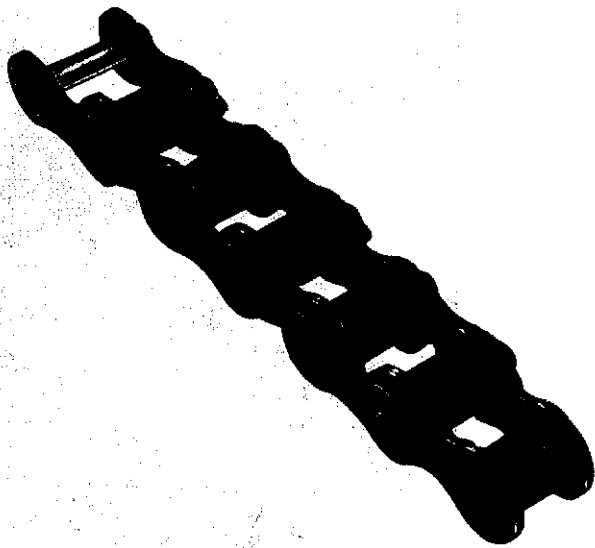
Nickle Plated

Stainless Steel

Hollow Pin

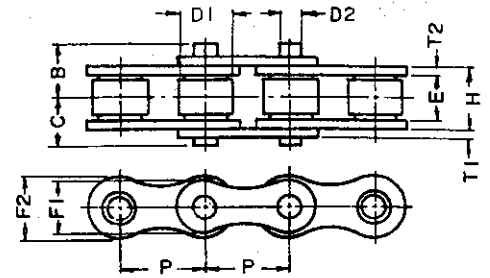
Attachment

Chain Tool





PRECISION ROLLER CHAIN
SINGLE STRAND



Chain No.	P x E inch mm	H	B	C	F1	F2	D1	D2	T1	T2	Weight kg/m	Ave. Util. Strength kg	
408	1/2" x 3/32"	12.7 x 2.40	4.55	4.0	4.0	8.30	9.80	7.75	3.62	1.00	1.00	0.28	1000
410	1/2" x 1/8"	12.7 x 3.45	5.59	5.8	4.6	8.30	9.80	7.75	3.62	1.00	1.00	0.30	1000
415	1/2" x 3/16"	12.7 x 4.88	6.97	6.5	5.3	8.30	9.80	7.75	3.62	1.00	1.00	0.33	1000
510	5/8" x 1/8"	15.875 x 3.45	5.59	5.8	4.6	8.30	9.80	7.75	3.62	1.00	1.00	0.23	1000
515	5/8" x 3/16"	15.875 x 4.88	6.97	6.5	5.3	8.30	9.80	7.75	3.62	1.00	1.00	0.29	1000

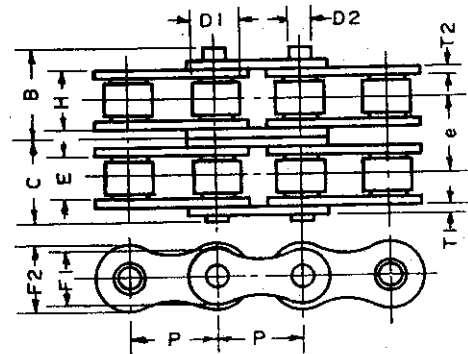
ANSI Chain No.	P x E inch mm	H	B	C	F1	F2	D1	D2	T1	T2	Weight kg/m	Ave. Util. Strength kg	
25	1/4" x 1/8"	6.35 x 3.18	4.80	4.8	3.8	5.00	5.80	3.30	2.30	0.75	0.75	0.14	420
25H	1/4" x 1/8"	6.35 x 3.18	5.30	5.1	4.5	5.00	5.80	3.30	2.30	1.00	1.00	0.16	530
35	3/8" x 3/16"	9.525 x 4.80	7.46	7.0	5.8	7.40	8.80	5.08	3.58	1.25	1.25	0.33	1050
41	1/2" x 1/4"	12.7 x 6.40	9.06	7.8	6.6	8.30	9.80	7.77	3.58	1.25	1.25	0.41	1250
40	1/2" x 5/16"	12.7 x 7.95	11.17	9.1	8.1	10.40	11.75	7.92	3.96	1.50	1.50	0.63	1800
50	5/8" x 3/8"	15.875 x 9.53	13.84	11.5	10.0	12.85	14.70	10.16	5.08	1.96	1.96	1.01	3000
50H	5/8" x 3/8"	15.875 x 9.53	14.65	11.9	10.9	12.85	14.70	10.16	5.08	2.40	2.40	1.11	3600
60	3/4" x 1/2"	19.05 x 12.70	17.75	13.9	12.5	14.93	17.28	11.91	5.94	2.40	2.40	1.44	4200
60 CP	3/4" x 1/2"	19.05 x 12.70	17.75	15.2	12.5	14.93	17.28	11.91	5.94	2.40	2.40	1.44	4200
60H	3/4" x 1/2"	19.05 x 12.70	19.43	15.6	14.0	14.93	17.28	11.91	5.94	3.14	3.14	1.75	5300
60H CP	3/4" x 1/2"	19.05 x 12.70	19.43	16.4	14.0	14.93	17.28	11.91	5.94	3.14	3.14	1.75	5300
80	1" x 5/8"	25.4 x 15.88	22.60	18.4	16.1	20.00	23.24	15.87	7.92	3.14	3.14	2.40	7400
80 CP	1" x 5/8"	25.4 x 15.88	22.60	19.8	16.1	20.00	23.24	15.87	7.92	3.14	3.14	2.40	7400
80H	1" x 5/8"	25.4 x 15.88	24.28	20.0	17.7	20.00	23.24	15.87	7.92	3.96	3.96	3.27	8900
80H CP	1" x 5/8"	25.4 x 15.88	24.28	21.5	17.7	20.00	23.24	15.87	7.92	3.96	3.96	3.27	8900
100	1-1/4" x 3/4"	31.75 x 19.05	27.45	22.9	19.7	26.08	30.24	19.05	9.52	3.96	3.96	3.94	11500
100 CP	1-1/4" x 3/4"	31.75 x 19.05	27.45	22.9	19.7	26.08	30.24	19.05	9.52	3.96	3.96	3.94	11500
100H	1-1/4" x 3/4"	31.75 x 19.05	29.10	24.6	21.1	26.08	30.24	19.05	9.52	4.75	4.75	4.47	14000
100H CP	1-1/4" x 3/4"	31.75 x 19.05	29.10	24.6	21.1	26.08	30.24	19.05	9.52	4.75	4.75	4.47	14000
120	1-1/2" x 1"	38.1 x 25.40	35.45	29.4	24.5	29.70	35.85	22.22	11.10	4.75	4.75	5.85	14500
120 CP	1-1/2" x 1"	38.1 x 25.40	35.45	29.4	24.5	29.70	35.85	22.22	11.10	4.75	4.75	5.85	14500
120H	1-1/2" x 1"	38.1 x 25.40	37.18	31.7	26.7	29.70	35.85	22.22	11.10	5.55	5.55	6.25	16500
120H CP	1-1/2" x 1"	38.1 x 25.40	37.18	31.7	26.7	29.70	35.85	22.22	11.10	5.55	5.55	6.25	16500
140	1-3/4" x 1"	44.45 x 25.40	37.18	32.5	26.7	36.20	42.00	25.40	12.70	5.55	5.55	7.26	20500
140 CP	1-3/4" x 1"	44.45 x 25.40	37.18	32.5	26.7	36.20	42.00	25.40	12.70	5.55	5.55	7.26	20500
160	2" x 1-1/4"	50.8 x 31.75	45.21	37.2	31.9	48.00	40.80	28.57	14.27	6.35	6.35	9.30	25500
160 CP	2" x 1-1/4"	50.8 x 31.75	45.21	37.2	31.9	48.00	40.80	28.57	14.27	6.35	6.35	9.30	25500

According to ANSI B29.1

Chain No.	P x E inch mm	H	B	C	F1	F2	D1	D2	T1	T2	Weight kg/m	Ave. Util. Strength kg	
415B	1/2" x 3/16"	12.7 x 4.88	7.65	7.1	6.2	9.70	11.45	7.75	4.09	1.25	1.25	0.46	1500
415H	1/2" x 3/16"	12.7 x 4.88	8.05	7.7	6.4	9.70	11.45	7.75	4.18	1.50	1.50	0.50	1750
420	1/2" x 1/4"	12.7 x 6.40	9.55	8.4	7.2	10.40	11.75	7.75	3.96	1.50	1.50	0.58	1800
423	1/2" x 1/4"	12.7 x 6.40	9.55	8.4	7.2	10.40	11.75	8.51	4.45	1.50	1.50	0.61	1850
425	1/2" x 5/16"	12.7 x 7.95	11.17	9.1	8.1	10.40	11.75	7.92	3.96	1.50	1.50	0.63	1800
428	1/2" x 5/16"	12.7 x 7.95	11.17	9.1	8.1	10.40	11.75	8.51	4.45	1.50	1.50	0.68	1850
428H	1/2" x 5/16"	12.7 x 7.95	12.15	10.1	9.1	10.40	11.75	8.51	4.45	1.96	1.96	0.79	2250
520	5/8" x 1/4"	15.875 x 6.40	10.45	9.5	8.3	12.85	14.70	10.16	5.08	1.96	1.96	0.90	3000
520H	5/8" x 1/4"	15.875 x 6.40	11.27	10.3	9.2	12.85	14.70	10.16	5.33	2.40	2.40	1.03	3400
525	5/8" x 5/16"	15.875 x 7.95	12.15	10.6	9.2	12.85	14.70	10.16	5.08	1.96	1.96	0.97	3000
530	5/8" x 3/8"	15.875 x 9.53	13.84	11.5	10.0	12.85	14.70	10.16	5.08	1.96	1.96	1.01	3000
530H	5/8" x 3/8"	15.875 x 9.53	14.65	11.9	10.9	12.85	14.70	10.16	5.33	2.40	2.40	1.15	3400

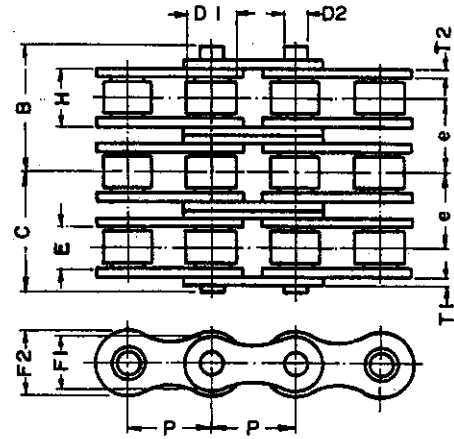


PRECISION ROLLER CHAIN
DOUBLE STRAND



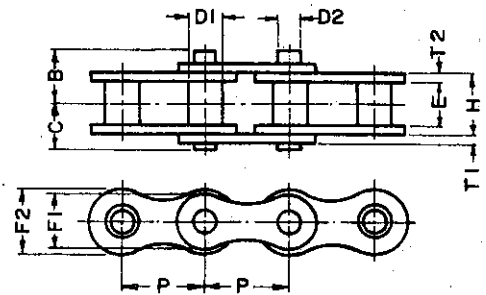
ANSI Chain No.	P x E inch mm	H	B	C	F1	F2	D1	D2	e	T1	T2	WT kg/m	Ave. Ulti. Strength kg	
35 -2	3/8"x3/16"	9.525 x 4.80	7.46	12.0	10.9	7.40	8.80	5.08	3.58	10.13	1.25	1.25	0.66	2200
40 -2	1/2"x5/16"	12.7 x 7.95	11.17	16.8	15.2	10.40	11.75	7.92	3.96	14.38	1.50	1.50	1.26	3600
50 -2	5/8"x3/8"	15.875 x 9.53	13.84	20.2	19.0	12.85	14.70	10.16	5.08	18.11	1.96	1.96	2.02	6000
60 -2	3/4"x1/2"	19.05 x 12.70	17.75	25.1	23.9	14.93	17.28	11.91	5.94	22.78	2.40	2.40	2.88	8400
60 -2 CP	3/4"x1/2"	19.05 x 12.70	17.75	26.5	23.9	14.93	17.28	11.91	5.94	22.78	2.40	2.40	2.88	8400
60H-2	3/4"x1/2"	19.05 x 12.70	19.43	28.3	27.0	14.93	17.28	11.91	5.94	26.11	3.14	3.14	3.50	10600
60H-2 CP	3/4"x1/2"	19.05 x 12.70	19.43	30.7	27.0	14.93	17.28	11.91	5.94	26.11	3.14	3.14	3.50	10600
80 -2	1" x 5/8"	25.4 x 15.88	22.60	32.9	30.8	20.00	23.24	15.87	7.92	29.29	3.14	3.14	4.80	14800
80 -2 CP	1" x 5/8"	25.4 x 15.88	22.60	34.4	30.8	20.00	23.24	15.87	7.92	29.29	3.14	3.14	4.80	14800
80H-2	1" x 5/8"	25.4 x 15.88	24.28	36.3	34.2	20.00	23.24	15.87	7.92	32.59	3.96	3.96	6.54	18000
80H-2 CP	1" x 5/8"	25.4 x 15.88	24.28	37.8	34.2	20.00	23.24	15.87	7.92	32.59	3.96	3.96	6.54	18000
100 -2	1-1/4" x 3/4"	31.75 x 19.05	27.45	41.6	37.5	26.08	30.24	19.05	9.52	35.76	3.96	3.96	7.88	23000
100 -2 CP	1-1/4" x 3/4"	31.75 x 19.05	27.45	41.6	37.5	26.08	30.24	19.05	9.52	35.76	3.96	3.96	7.88	23000
120 -2	1-1/2" x 1"	38.1 x 25.40	35.45	51.8	47.4	29.70	35.85	22.22	11.10	45.44	4.75	4.75	11.70	29000
120 -2 CP	1-1/2" x 1"	38.1 x 25.40	35.45	51.8	47.4	29.70	35.85	22.22	11.10	45.44	4.75	4.75	11.70	29000
140 -2	1-3/4" x 1"	44.45 x 25.40	37.18	56.6	51.2	36.20	42.00	25.40	12.70	48.87	5.55	5.55	14.52	41000
140 -2 CP	1-3/4" x 1"	44.45 x 25.40	37.18	56.6	51.2	36.20	42.00	25.40	12.70	48.87	5.55	5.55	14.52	41000

PRECISION ROLLER CHAIN
TRIPLE STRAND



ANSI Chain No.	P x E		H	B	C	F1	F2	D1	D2	e	T1	T2	WT kg/m	Ave. Ulti Strength kg
	Inch	mm												
35-3	3/8" x 3/16"	9.525 x 4.80	7.46	17.1	16.0	7.40	8.80	5.08	3.58	10.13	1.25	1.25	0.97	3200
40-3	1/2" x 5/16"	12.7 x 7.95	11.17	24.0	22.4	10.40	11.75	7.92	3.96	14.38	1.50	1.50	1.86	5400
50-3	5/8" x 3/8"	15.875 x 9.53	13.84	29.3	28.1	12.85	14.70	10.16	5.08	18.11	1.96	1.96	3.00	9000
60-3	3/4" x 1/2"	19.05 x 12.70	17.75	36.5	35.3	14.93	17.28	11.91	5.94	22.78	2.40	2.40	4.26	12600
80-3	1" x 5/8"	25.4 x 15.88	22.60	47.6	45.5	20.00	23.24	15.87	7.92	29.29	3.14	3.14	7.13	22200
100-3	1-1/4" x 3/4"	31.75 x 19.05	27.45	58.8	55.3	26.08	30.24	19.05	9.52	35.76	3.96	3.96	11.44	34500
120-3	1-1/2" x 1"	38.1 x 25.40	35.45	74.8	69.9	29.70	35.85	22.22	11.10	45.44	4.75	4.75	17.41	43500

ROLLERLESS CHAIN

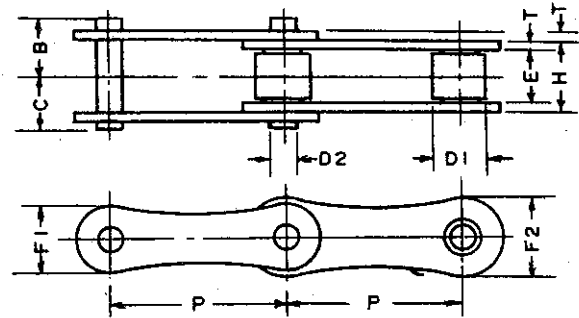


ANSI Chain No.	P x E		H	B	C	F1	F2	D1	D2	T1	T2	Weight kg/m	Ave. Ulti Strength kg
	Inch	mm											
55	5/8" x 3/8"	15.875 x 9.53	13.84	11.5	10.0	12.85	14.70	7.24	5.08	1.96	1.96	0.82	3000
65	3/4" x 1/2"	19.05 x 12.70	17.75	13.9	12.5	14.93	17.28	8.39	5.94	2.40	2.40	1.17	4200
85	1" x 5/8"	25.4 x 15.88	22.60	18.4	16.1	20.00	23.24	11.06	7.92	3.14	3.14	2.02	7400
105	1-1/4" x 3/4"	31.75 x 19.05	27.45	22.9	19.7	26.08	30.24	13.58	9.52	3.96	3.96	3.28	11500



Double-Pitch Roller Chains

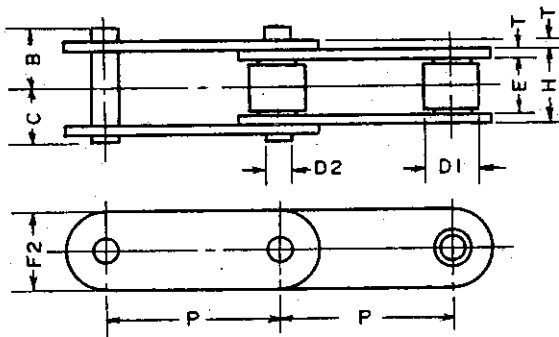
Power Transmission Series



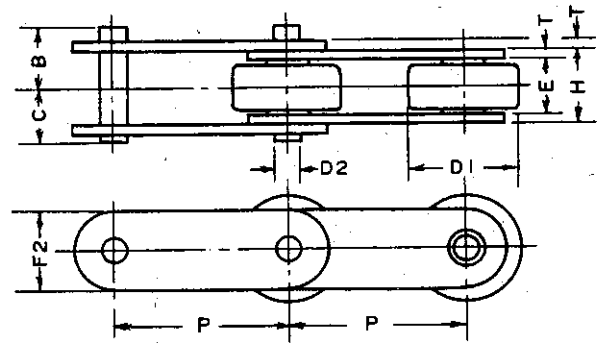
ANSI Chain No.	P x E		H	B	C	F1	F2	D1	D2	T	Weight kg/m	Ave. Ulti. Strength kg		
	inch	mm												
A-2040	1"	x5/16"	25.4	x 7.95	11.17	9.1	8.1	10.40	11.75	7.92	3.96	1.50	0.41	1800
A-2050	1-1/4"	x3/8"	31.75	x 9.53	13.84	11.5	10.0	13.30	15.05	10.16	5.08	1.96	0.68	3000
A-2060	1-1/2"	x1/2"	38.1	x 12.70	17.75	13.9	12.5	15.40	17.53	11.91	5.94	2.40	0.91	4200

Conveyor Series

Standard Rollers



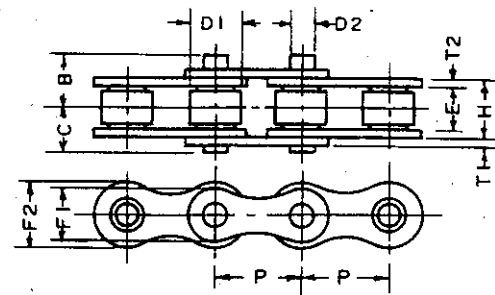
Large Rollers



ANSI Chain No.	P x E		H	B	C	F2	D1	D2	T	Weight kg/m	Ave. Ulti. Strength kg		
	inch	mm											
C-2040	1"	x5/16"	25.4	x 7.95	11.17	9.1	8.1	11.75	7.92	3.96	1.50	0.50	1800
C-2042	1"	x5/16"	25.4	x 7.95	11.17	9.1	8.1	11.75	15.87	3.96	1.50	0.84	1800
C-2050	1-1/4"	x3/8"	31.75	x 9.53	13.84	11.5	10.0	15.05	19.05	5.08	1.96	0.78	3000
C-2052	1-1/4"	x3/8"	31.75	x 9.53	13.84	11.5	10.0	15.05	19.05	5.08	1.96	1.25	3000
C-2060	1-1/2"	x1/2"	38.1	x 12.70	17.75	13.9	12.5	17.53	11.91	5.94	2.40	1.12	4300
C-2060H	1-1/2"	x1/2"	38.1	x 12.70	19.43	15.6	14.0	17.53	11.91	5.94	3.14	1.44	5400
C-2060H CP	1-1/2"	x1/2"	38.1	x 12.70	19.43	16.4	14.0	17.53	11.91	5.94	3.14	1.44	5400
C-2062H	1-1/2"	x1/2"	38.1	x 12.70	19.43	15.6	14.0	17.53	22.22	5.94	3.14	2.07	5400
C-2062H CP	1-1/2"	x1/2"	38.1	x 12.70	19.43	16.4	14.0	17.53	22.22	5.94	3.14	2.07	5400
C-2080H	2"	x5/8"	50.8	x 15.88	24.28	21.5	17.7	23.24	15.87	7.92	3.96	2.54	9500
C-2080H CP	2"	x5/8"	50.8	x 15.88	24.28	21.5	17.7	23.24	15.87	7.92	3.96	2.54	9500
C-2082H	2"	x5/8"	50.8	x 15.88	24.28	21.5	17.7	23.24	28.57	7.92	3.96	3.58	9500
C-2082H CP	2"	x5/8"	50.8	x 15.88	24.28	21.5	17.7	23.24	28.57	7.92	3.96	3.58	9500
C-2100H	2-1/2"	x3/4"	63.5	x 19.05	29.10	24.9	21.1	30.24	19.05	9.52	4.75	3.56	14000
C-2100H CP	2-1/2"	x3/4"	63.5	x 19.05	29.10	24.9	21.1	30.24	19.05	9.52	4.75	3.56	14000
C-2102H	2-1/2"	x3/4"	63.5	x 19.05	29.10	24.9	21.1	30.24	39.67	9.52	4.75	5.38	14000
C-2102H CP	2-1/2"	x3/4"	63.5	x 19.05	29.10	24.9	21.1	30.24	39.67	9.52	4.75	5.38	14000
C-2120H	3"	x1"	76.2	x 25.40	37.18	30.1	26.7	35.93	22.22	11.10	5.55	4.46	16500
C-2120H CP	3"	x1"	76.2	x 25.40	37.18	30.1	26.7	35.93	22.22	11.10	5.55	4.46	16500
C-2122H	3"	x1"	76.2	x 25.40	37.18	30.1	26.7	35.93	44.45	11.10	5.55	7.01	16500
C-2122H CP	3"	x1"	76.2	x 25.40	37.18	30.1	26.7	35.93	44.45	11.10	5.55	7.01	16500

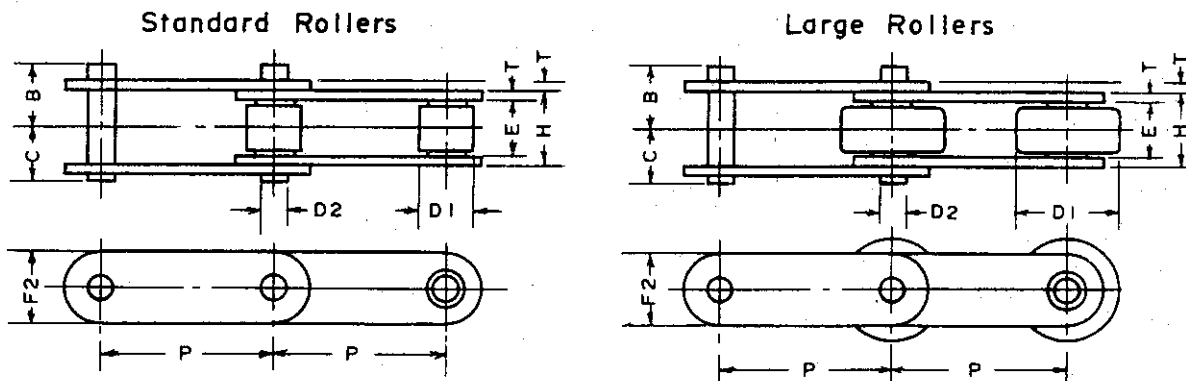


STAINLESS STEEL SUS 304 ROLLER CHAIN
SINGLE STRAND



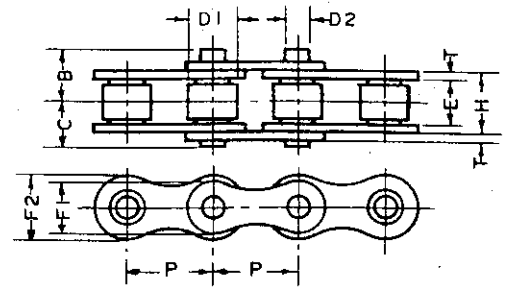
ANSI Chain No.	P x E inch mm	H	B	C	F1	F2	D1	D2	T1	T2	Weight kg/m	Ave. Ulti. Strength kg
25 SS	1/4" x 1/8" 6.35 x 3.18	4.80	4.8	3.8	5.00	5.80	3.30	2.30	0.75	0.75	0.14	300
35 SS	3/8" x 3/16" 9.525 x 4.80	7.46	7.0	5.8	7.40	8.80	5.08	3.58	1.25	1.25	0.33	800
41 SS	1/2" x 1/4" 12.7 x 6.40	9.06	7.8	6.6	8.30	9.80	7.77	3.58	1.25	1.25	0.41	800
40 SS	1/2" x 5/16" 12.7 x 7.95	11.17	9.1	8.1	10.40	11.75	7.92	3.96	1.50	1.50	0.63	1300
50 SS	5/8" x 3/8" 15.875 x 9.53	13.84	11.5	10.0	12.85	14.70	10.16	5.08	1.96	1.96	1.01	2250
60 SS	3/4" x 1/2" 19.05 x 12.70	17.75	13.9	12.5	14.93	17.28	11.91	5.94	2.40	2.40	1.44	3100
80 SS	1" x 5/8" 25.4 x 15.88	22.60	18.4	16.1	20.00	23.24	15.87	7.92	3.14	3.14	2.40	5000

STAINLESS STEEL SUS 304 DOUBLE-PITCH ROLLER CHAIN



ANSI Chain No.	P x E inch mm	H	B	C	F2	D1	D2	T	Weight kg/m	Ave. Ulti. Strength kg
C-2040 SS	1" x 5/16" 25.4 x 7.95	11.17	9.1	8.1	11.75	7.92	3.96	1.50	0.50	1300
C-2042 SS	1" x 5/16" 25.4 x 7.95	11.17	9.1	8.1	11.75	15.87	3.96	1.50	0.84	1300
C-2050 SS	1-1/4" x 3/8" 31.75 x 9.53	13.84	11.5	10.0	15.05	10.16	5.08	1.96	0.78	2250
C-2052 SS	1-1/4" x 3/8" 31.75 x 9.53	13.84	11.5	10.0	15.05	19.05	5.08	1.96	1.25	2250
C-2060 SS	1-1/2" x 1/2" 38.1 x 12.70	17.75	13.9	12.5	17.53	11.91	5.94	2.40	1.12	3100
C-2062 SS	1-1/2" x 1/2" 38.1 x 12.70	17.75	13.9	12.5	17.53	22.22	5.94	2.40	1.82	3100
C-2060H SS	1-1/2" x 1/2" 38.1 x 12.70	19.43	15.6	14.0	17.53	11.91	5.94	3.14	1.44	4000
C-2062H SS	1-1/2" x 1/2" 38.1 x 12.70	19.43	15.6	14.0	17.53	22.22	5.94	3.14	2.07	4000
C-2080 SS	2" x 5/8" 50.8 x 15.88	22.60	18.4	16.1	23.24	15.87	7.92	3.14	2.10	5000
C-2082 SS	2" x 5/8" 50.8 x 15.88	22.60	18.4	16.1	23.24	28.57	7.92	3.14	3.16	5000

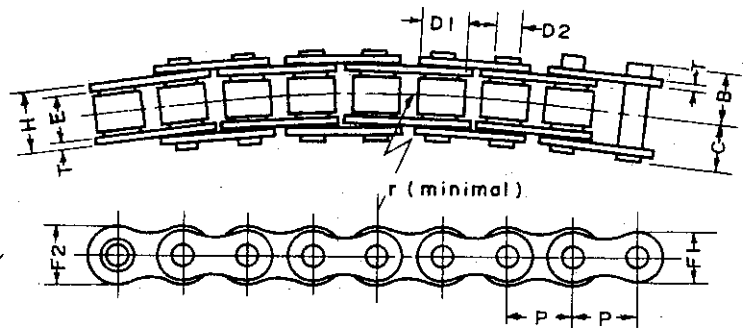
NICKEL PLATED ROLLER CHAIN SINGLE STRAND



ANSI Chain No.	P x E inch mm	H	B	C	F1	F2	D1	D2	T	Weight kg/m	Ave. Ulti. Strength kg
25NP	1/4"x1/8" 6.35 x 3.18	4.80	4.8	3.8	5.00	5.80	3.30	2.30	0.75	0.14	420
35NP	3/8"x3/16" 9.525x 4.80	7.46	7.0	5.8	7.40	8.80	5.08	3.58	1.25	0.33	1050
41NP	1/2"x1/4" 12.7 x 6.40	9.06	7.8	6.6	8.30	9.80	7.77	3.58	1.25	0.41	1250
40NP	1/2"x5/16" 12.7 x 7.95	11.17	9.1	8.1	10.40	11.75	7.92	3.96	1.50	0.63	1800
50NP	5/8"x3/8" 15.875x 9.53	13.84	11.5	10.0	12.85	14.70	10.16	5.08	1.96	1.01	3000
60NP	3/4"x1/2" 19.05 x12.70	17.75	13.9	12.5	14.93	17.28	11.91	5.94	2.40	1.44	4200
80NP	1" x5/8" 25.4 x15.88	22.60	18.4	16.1	20.00	23.24	15.87	7.92	3.14	2.40	7400
100NP	1-1/4"x3/4" 31.75 x19.05	27.45	22.9	19.7	26.08	30.24	19.05	9.52	3.96	3.94	11500

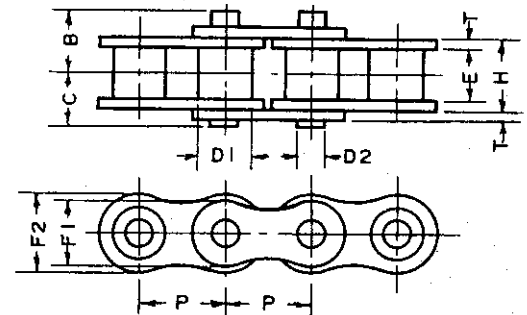
Nickel plated chains can be furnished in all size besides of those shown above, also chain with attachment, etc.

SIDE BOW ROLLER CHAIN



ANSI Chain No.	P x E inch mm	H	B	C	F1	F2	D1	D2	r	T	Weight kg/m	Ave. Ulti. Strength kg
35SB	3/8"x3/16" 9.525x 4.80	7.46	7.2	6.0	7.40	8.80	5.08	3.58	254.0	1.25	0.33	1050
40SB	1/2"x5/16" 12.7 x 7.95	11.17	9.3	8.3	10.40	11.75	7.92	3.96	355.6	1.50	0.63	1800
50SB	5/8"x3/8" 15.875x 9.53	13.84	11.8	10.3	12.85	14.70	10.16	5.08	406.4	1.96	1.01	3000
60SB	3/4"x1/2" 19.05 x12.70	17.75	14.2	12.8	14.93	17.28	11.91	5.94	508.0	2.40	1.44	4200
80SB	1" x5/8" 25.4 x15.88	22.60	18.8	16.5	20.00	23.24	15.87	7.92	609.6	3.14	2.40	7400

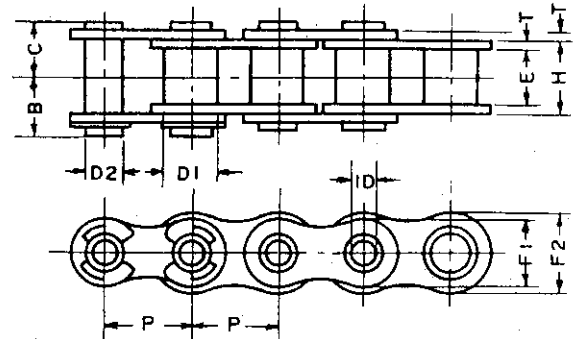
SELF LUBE ROLLER CHAIN (Sintered Bushing Style)



ANSI Chain No.	P x E inch mm	H	B	C	F1	F2	D1	D2	T	Weight kg/m	Ave. Ulti. Strength kg
40SL	1/2"x5/16" 12.7 x 7.95	11.17	9.1	8.1	10.40	11.75	7.92	3.96	1.50	0.58	1350
50SL	5/8"x3/8" 15.875x 9.53	13.84	11.5	10.0	12.85	14.70	10.16	5.08	1.96	0.95	2170
60SL	3/4"x1/2" 19.05 x12.70	17.75	13.9	12.5	14.93	17.28	11.91	5.94	2.40	1.36	2800
80SL	1" x5/8" 25.4 x15.88	22.60	18.4	16.1	20.00	23.24	15.87	7.92	3.14	2.35	5200

HOLLOW PIN CHAIN

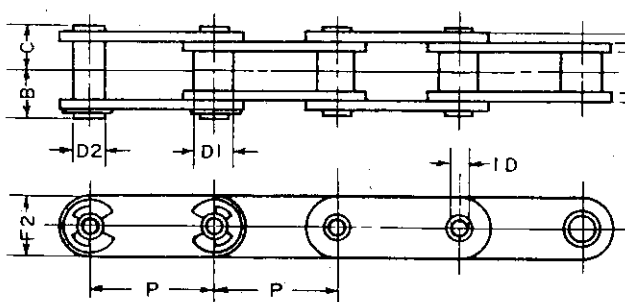
Single-Pitch Roller Chains



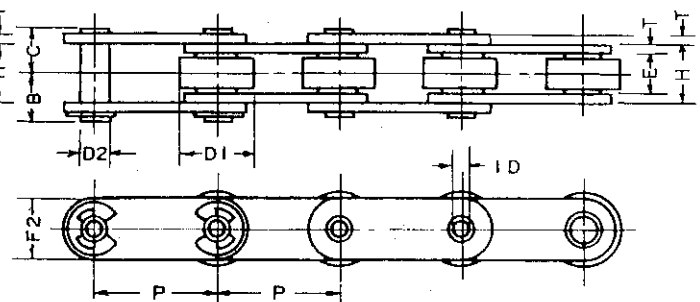
ANSI Chain No.	P x E inch	mm	H	B	C	F1	F2	D1	D2	ID	T	Weight kg/m	Ave. Ulti. Strength kg
40HP	1/2" x 5/16"	12.7 x 7.95	11.17	9.1	8.1	10.40	11.75	7.92	5.69	4.00	1.50	0.57	1350
50HP	5/8" x 3/8"	15.875 x 9.53	13.84	11.5	10.0	12.85	14.70	10.16	7.27	5.12	1.96	0.94	2170
60HP	3/4" x 1/2"	19.05 x 12.70	17.75	13.9	12.5	14.80	17.28	11.91	8.40	5.98	2.40	1.38	2800
80HP	1" x 5/8"	25.4 x 15.88	22.60	18.4	16.1	20.00	23.24	15.87	11.40	7.96	3.14	2.23	5200

Double-Pitch Roller Chains Conveyor Series

Standard Rollers



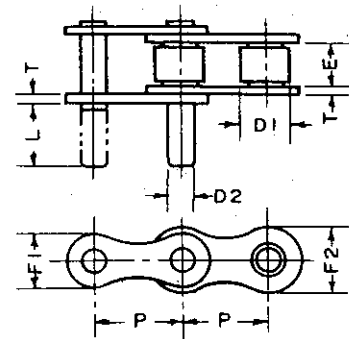
Large Rollers



ANSI Chain No.	P x E inch	mm	H	B	C	F2	D1	D2	ID	T	Weight kg/m	Ave. Ulti. Strength kg
C-2040HP	1" x 5/16"	25.4 x 7.95	11.17	9.1	8.1	11.75	7.92	5.69	4.00	1.50	0.46	1350
C-2042HP	1" x 5/16"	25.4 x 7.95	11.17	9.1	8.1	11.75	15.87	5.69	4.00	1.50	0.80	1350
C-2050HP	1-1/4" x 3/8"	31.75 x 9.53	13.84	11.5	10.0	15.05	10.16	7.27	5.12	1.96	0.72	2170
C-2052HP	1-1/4" x 3/8"	31.75 x 9.53	13.84	11.5	10.0	15.05	19.05	7.27	5.12	1.96	1.18	2170
C-2060HP	1-1/2" x 1/2"	38.1 x 12.70	17.75	13.9	12.5	17.53	11.91	8.40	5.98	2.40	1.08	2800
C-2062HP	1-1/2" x 1/2"	38.1 x 12.70	17.75	13.9	12.5	17.53	22.22	8.40	5.98	2.40	1.78	2800
C-2080HP	2" x 5/8"	50.8 x 15.88	22.60	18.4	16.1	23.24	15.87	11.40	7.96	3.14	2.56	5200
C-2082HP	2" x 5/8"	50.8 x 15.88	22.60	18.4	16.1	23.24	28.57	11.40	7.96	3.14	3.54	5200

ATTACHMENTS • Standard Roller Chains

D1 Attachments (One Pin Extended)
 &
 D3 Attachments (Both Pins Extended)



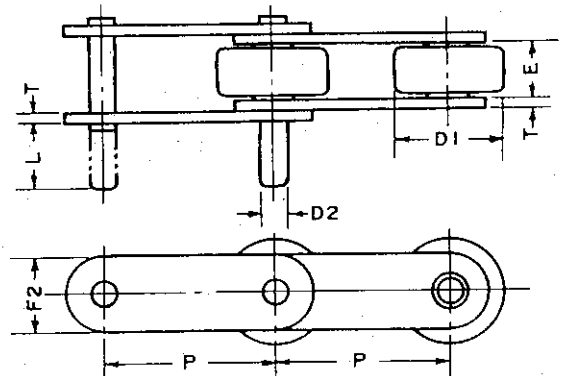
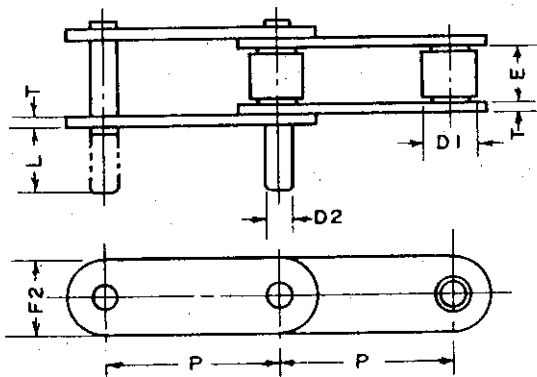
ANSI Chain No.	P x E		F1	F2	D1	D2	L	T	Ave. Ulti. Strength kg
	inch	mm							
35	3/8" x 3/16"	9.525 x 4.80	7.40	8.80	5.08	3.58	9.52	1.25	1050
41	1/2" x 1/4"	12.7 x 6.40	8.30	9.80	7.77	3.58	9.52	1.25	1250
40	1/2" x 5/16"	12.7 x 7.95	10.40	11.75	7.92	3.96	9.52	1.50	1800
50	5/8" x 3/8"	15.875 x 9.53	12.85	14.70	10.16	5.08	11.91	1.96	3000
60	3/4" x 1/2"	19.05 x 12.70	14.93	17.28	11.91	5.94	14.27	2.40	4200
80	1" x 5/8"	25.4 x 15.88	20.00	23.24	15.87	7.92	19.05	3.14	7400
100	1-1/4" x 3/4"	31.75 x 19.05	26.08	30.24	19.05	9.52	23.81	3.96	11500
120	1-1/2" x 1"	38.1 x 25.40	29.70	35.85	22.22	11.10	28.57	4.75	14500
140	1-3/4" x 1"	44.45 x 25.40	36.20	42.00	25.40	12.70	33.33	5.55	20500

ATTACHMENTS • Double-Pitch Conveyor Chains

D1 Attachments & D3 Attachments
 (One Pin Extended) (Both Pins Extended)

Standard Rollers

Large Rollers

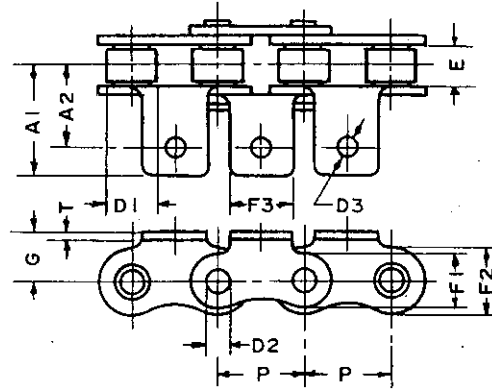


ANSI Chain No.	P x E		F2	D1	D2	L	T	Ave. Ulti. Strength kg
	inch	mm						
C-2040	1" x 5/16"	25.4 x 7.95	11.75	7.92	3.96	9.52	1.50	1800
C-2042	1" x 5/16"	25.4 x 7.95	11.75	15.87	3.96	9.52	1.50	1800
C-2050	1-1/4" x 3/8"	31.75 x 9.53	15.05	10.16	5.08	11.91	1.96	3000
C-2052	1-1/4" x 3/8"	31.75 x 9.53	15.05	19.05	5.08	11.91	1.96	3000
C-2060H	1-1/2" x 1/2"	38.1 x 12.70	17.53	11.91	5.94	14.27	3.14	5400
C-2062H	1-1/2" x 1/2"	38.1 x 12.70	17.53	22.22	5.94	14.27	3.14	5400
C-2080H	2" x 5/8"	50.8 x 15.88	23.24	15.87	7.92	19.05	3.96	9500
C-2082H	2" x 5/8"	50.8 x 15.88	23.24	28.57	7.92	19.05	3.96	9500
C-2100H	2-1/2" x 3/4"	63.5 x 19.05	30.24	19.05	9.52	23.81	4.75	14000
C-2102H	2-1/2" x 3/4"	63.5 x 19.05	30.24	39.67	9.52	23.81	4.75	14000
C-2120H	3" x 1"	76.2 x 25.40	35.93	22.22	11.10	28.57	5.55	16500
C-2122H	3" x 1"	76.2 x 25.40	35.93	44.45	11.10	28.57	5.55	16500

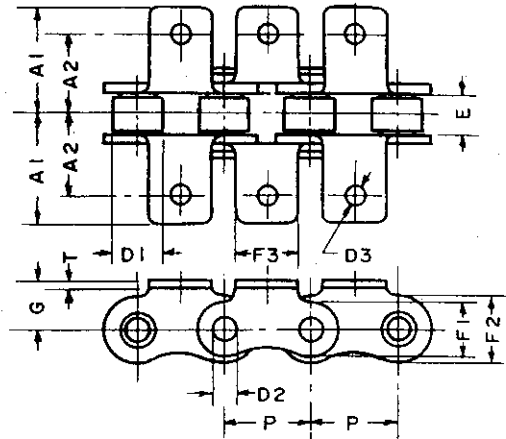


ATTACHMENTS • Standard Roller Chains

A1 Attachments

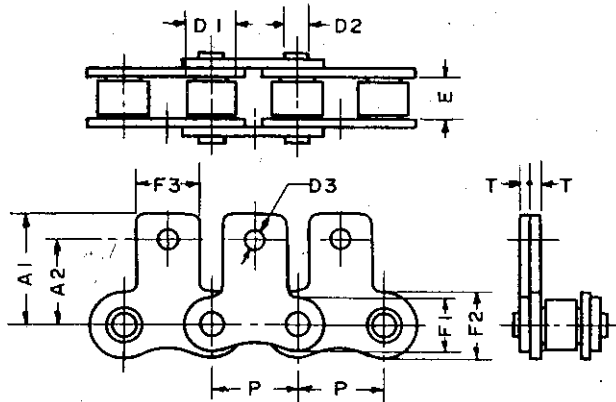


K1 Attachments

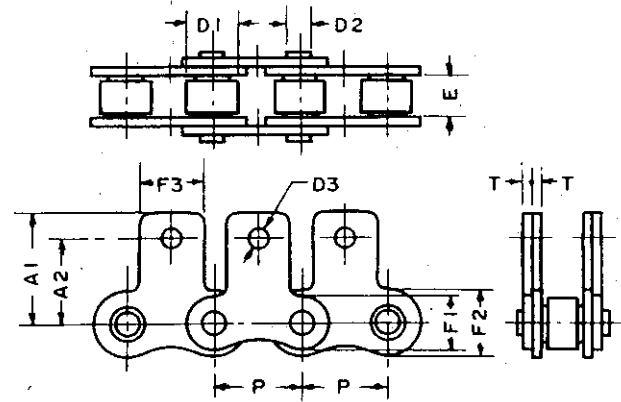


ANSI Chain No.	P x E inch mm	F1	F2	D1	D2	A1	A2	F3	D3	G	T	Ave. Ulti. Strength kg
35	3/8"x3/16" 9.525x 4.80	7.40	8.80	5.08	3.58	13.10	9.52	7.94	2.78	6.35	1.25	1050
41	1/2"x1/4" 12.7 x 6.40	8.30	9.80	7.77	3.58	16.27	11.90	9.52	3.57	7.14	1.25	1250
40	1/2"x5/16" 12.7 x 7.95	10.40	11.75	7.92	3.96	17.47	12.70	9.52	3.57	7.92	1.50	1800
50	5/8"x3/8" 15.875x 9.53	12.85	14.70	10.16	5.08	24.60	15.88	14.28	5.16	10.31	1.96	3000
60	3/4"x1/2" 19.05 x12.70	14.93	17.28	11.91	5.94	27.78	19.05	15.88	5.16	11.91	2.40	4200
80	1" x5/8" 25.4 x15.88	20.00	23.24	15.87	7.92	39.29	25.40	19.05	6.75	15.88	3.14	7400
100	1-1/4"x3/4" 31.75 x19.05	26.08	30.24	19.05	9.52	43.00	31.75	25.40	8.33	19.84	3.96	11500
120	1-1/2"x1" 38.1 x25.40	29.70	35.85	22.22	11.10	53.00	38.10	28.58	9.92	23.01	4.75	14500

M35 Attachments (SA1)



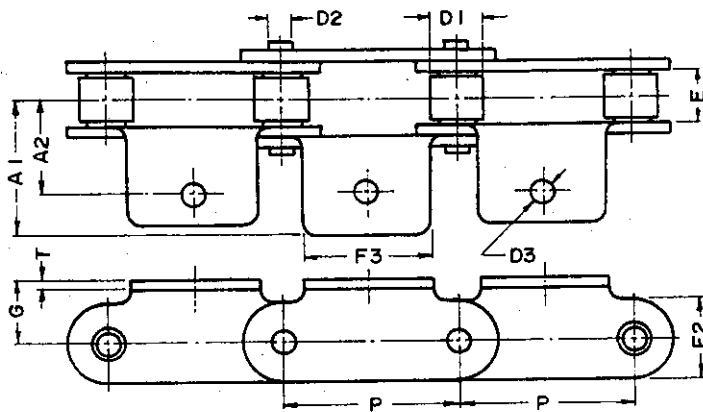
M1 Attachments (SK1)



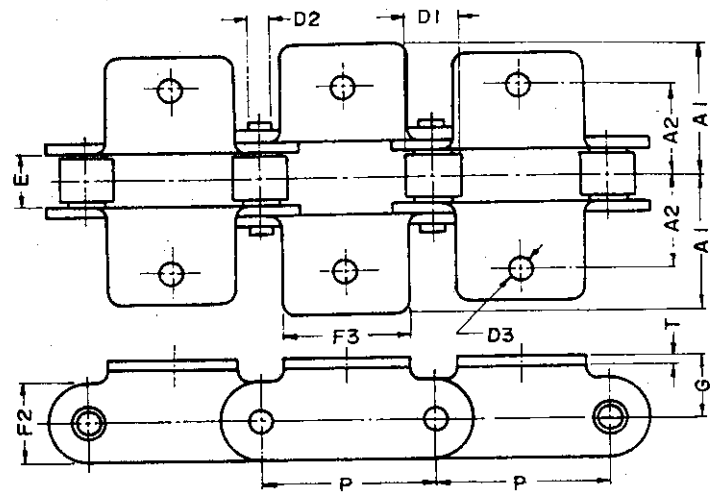
ANSI Chain No.	P x E inch mm	F1	F2	D1	D2	A1	A2	F3	D3	T	Ave. Ulti. Strength kg
35	3/8"x3/16" 9.525x 4.80	7.40	8.80	5.08	3.58	13.49	9.52	7.94	2.78	1.25	1050
41	1/2"x1/4" 12.7 x 6.40	8.30	9.80	7.77	3.58	16.46	12.70	9.52	3.57	1.25	1250
40	1/2"x5/16" 12.7 x 7.95	10.40	11.75	7.92	3.96	17.46	12.70	9.52	3.57	1.50	1800
50	5/8"x3/8" 15.875x 9.53	12.85	14.70	10.16	5.08	24.45	15.88	14.28	5.16	1.96	3000
60	3/4"x1/2" 19.05 x12.70	14.93	17.28	11.91	5.94	26.19	18.26	15.88	5.16	2.40	4200
80	1" x5/8" 25.4 x15.88	20.00	23.24	15.87	7.92	38.31	24.61	19.05	6.75	3.14	7400
100	1-1/4"x3/4" 31.75 x19.05	26.08	30.24	19.05	9.52	41.86	31.75	25.40	8.33	3.96	11500
120	1-1/2"x1" 38.1 x25.40	29.70	35.85	22.22	11.10	49.73	36.53	28.58	9.92	4.75	14500

ATTACHMENTS • Double-Pitch Conveyor Chains

A1 Attachments

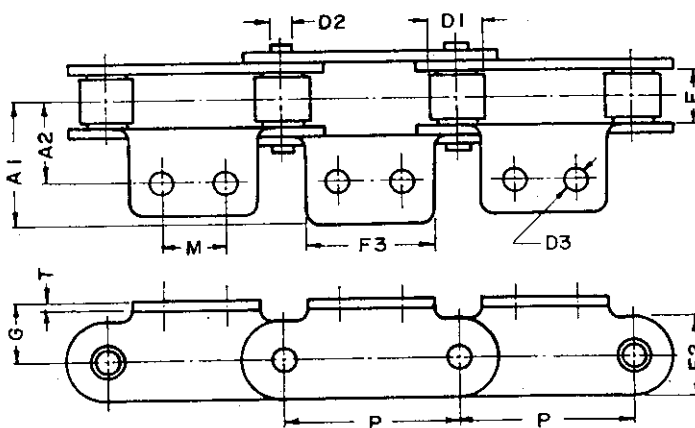


K1 Attachments

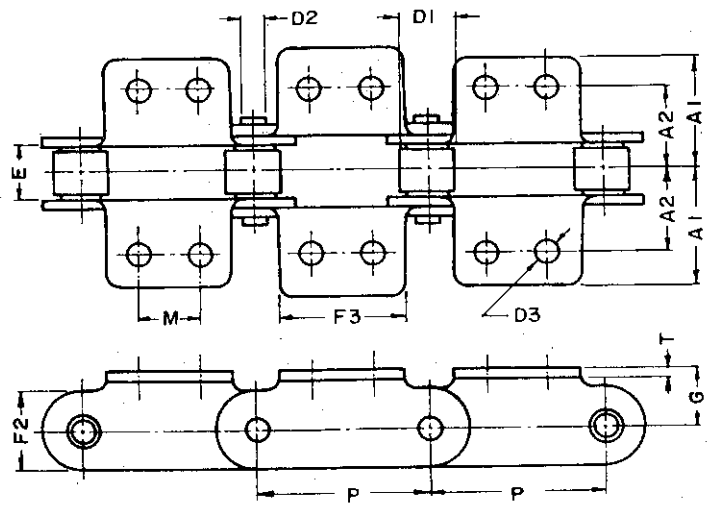


ANSI Chain No.	P x E		F2	D1	D2	A1	A2	F3	D3	G	T	Ave. Ulti Strength kg		
	inch	mm												
C-2040	1"	x5/16"	25.4	x 7.95	11.75	7.92	3.96	18.85	12.70	19.05	3.57	9.13	1.50	1800
C-2050	1-1/4"	x3/8"	31.75	x 9.53	15.05	10.16	5.08	24.00	15.88	25.40	5.16	11.11	1.96	3000
C-2060H	1-1/2"	x1/2"	38.1	x12.70	17.53	11.91	5.94	30.56	21.43	28.58	5.16	14.69	3.14	5400
C-2080H	2"	x5/8"	50.8	x15.88	23.24	15.87	7.92	38.50	27.78	38.10	6.75	19.05	3.96	9500
C-2100H	2-1/2"	x3/4"	63.5	x19.05	30.24	19.05	9.52	49.91	33.34	47.62	8.33	23.42	4.75	14000
C-2120H	3"	x1"	76.2	x25.40	35.93	22.22	11.10	60.71	39.69	57.15	9.92	27.78	5.55	16500

A2 Attachments



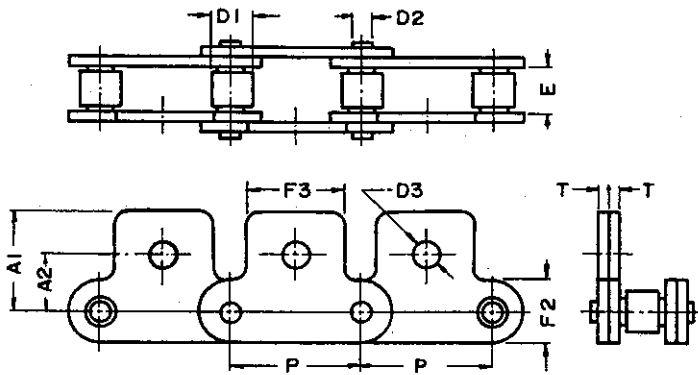
K2 Attachments



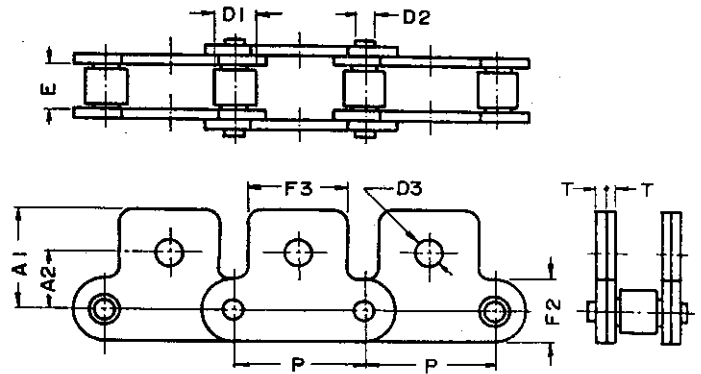
ANSI Chain No.	P x E		F2	D1	D2	A1	A2	F3	D3	G	M	T	Ave. Ulti Strength kg		
	inch	mm													
C-2040	1"	x5/16"	25.4	x 7.95	11.75	7.92	3.96	18.85	12.70	19.05	3.57	19.13	9.52	1.50	1800
C-2050	1-1/4"	x3/8"	31.75	x 9.53	15.05	10.16	5.08	24.00	15.88	25.40	5.16	11.11	11.91	1.96	3000
C-2060H	1-1/2"	x1/2"	38.1	x12.70	17.53	11.91	5.94	30.56	21.43	28.58	5.16	14.69	14.29	3.14	5400
C-2080H	2"	x5/8"	50.8	x15.88	23.24	15.87	7.92	38.50	27.78	38.10	6.75	19.05	19.05	3.96	9500
C-2100H	2-1/2"	x3/4"	63.5	x19.05	30.24	19.05	9.52	49.91	33.34	47.62	8.33	23.42	23.81	4.75	14000
C-2120H	3"	x1"	76.2	x25.40	35.93	22.22	11.10	60.71	39.69	57.15	9.92	27.78	28.58	5.55	16500

ATTACHMENTS • Double-Pitch Conveyor Chains

M35 Attachments (SA1)

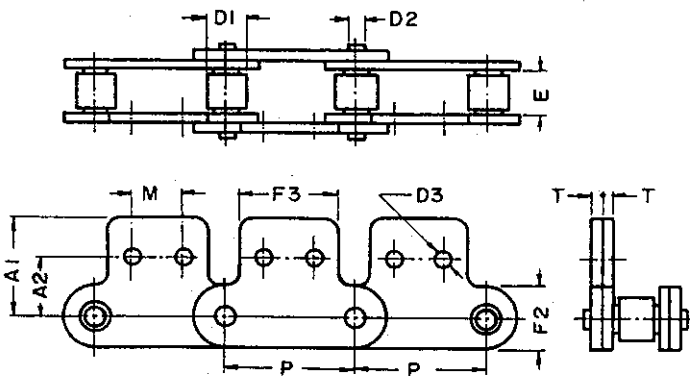


M1 Attachments (SKI)

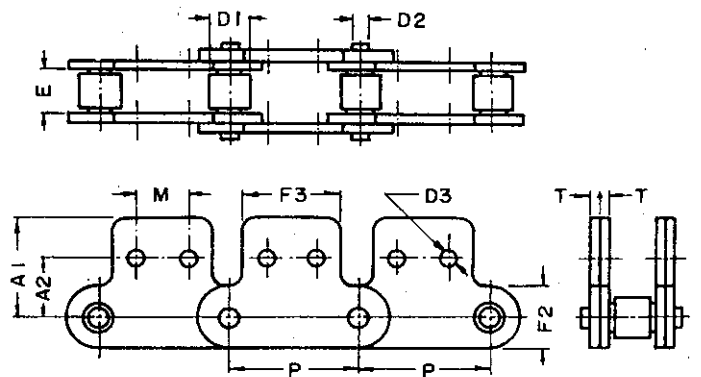


ANSI Chain No.	P x E		F2	D1	D2	A1	A2	F3	D3	T	Ave. Ulti Strength kg
	inch	mm									
C-2040	1" x 5/16"	25.4 x 7.95	11.75	7.92	3.96	19.28	11.11	19.05	5.16	1.50	1800
C-2050	1-1/4" x 3/8"	31.75 x 9.53	15.05	10.16	5.08	24.60	14.29	25.40	6.35	1.96	3000
C-2060H	1-1/2" x 1/2"	38.1 x 12.70	17.53	11.91	5.94	29.77	17.46	28.58	8.33	3.14	5400
C-2080H	2" x 5/8"	50.8 x 15.88	23.24	15.87	7.92	38.10	22.23	38.10	9.92	3.96	9500
C-2100H	2-1/2" x 3/4"	63.5 x 19.05	30.24	19.05	9.52	50.40	28.58	47.62	13.10	4.75	14000
C-2120H	3" x 1"	76.2 x 25.40	35.93	22.22	11.10	59.93	33.34	57.15	14.68	5.55	16500

M35-2 Attachments (SA2)



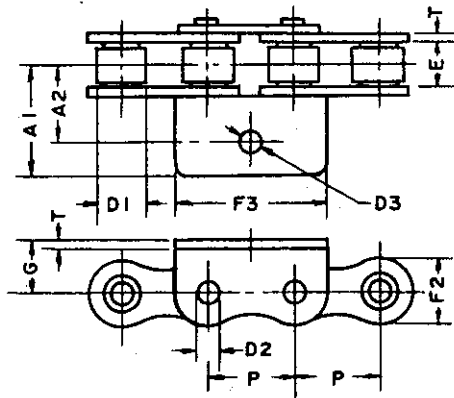
M2 Attachments (SK2)



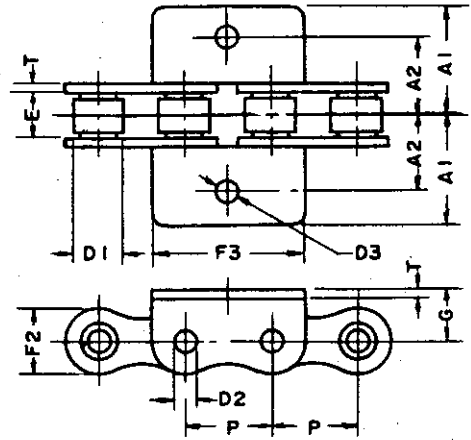
ANSI Chain No.	P x E		F2	D1	D2	A1	A2	F3	D3	M	T	Ave. Ulti Strength kg
	inch	mm										
C-2040	1" x 5/16"	25.4 x 7.95	11.75	7.92	3.96	19.28	13.49	19.05	3.57	9.52	1.50	1800
C-2050	1-1/4" x 3/8"	31.75 x 9.53	15.05	10.16	5.08	24.60	15.88	25.40	5.16	11.91	1.96	3000
C-2060H	1-1/2" x 1/2"	38.1 x 12.70	17.53	11.91	5.94	29.77	19.05	28.58	5.16	14.29	3.14	5400
C-2080H	2" x 5/8"	50.8 x 15.88	23.24	15.87	7.92	38.10	25.40	38.10	6.75	19.05	3.96	9500
C-2100H	2-1/2" x 3/4"	63.5 x 19.05	30.24	19.05	9.52	50.40	31.75	47.62	8.33	23.81	4.75	14000
C-2120H	3" x 1"	76.2 x 25.40	35.93	22.22	11.10	59.93	37.31	57.15	9.92	28.58	5.55	16500

ATTACHMENTS • Standard Roller Chains

WA1 Attachments

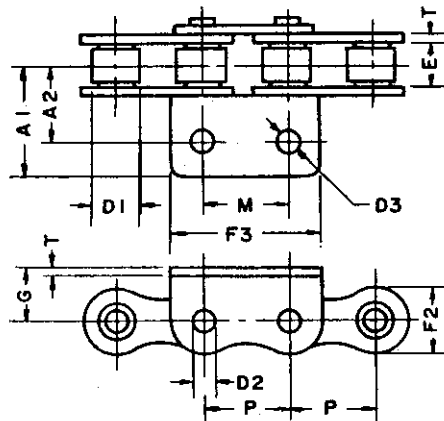


WK1 Attachments

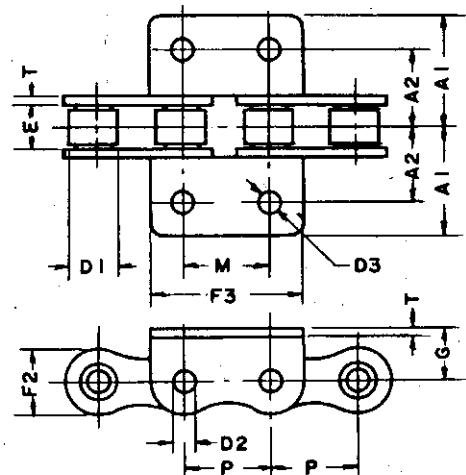


ANSI Chain No.	P x E		F2	D1	D2	A1	A2	F3	D3	G	T	Ave. Util. Strength kg
	inch	mm										
35	3/8" x 3/16"	9.525 x 4.80	8.80	5.08	3.58	14.29	9.52	18.33	2.78	6.35	1.25	1050
40	1/2" x 5/16"	12.7 x 7.95	11.75	7.92	3.96	17.46	12.70	23.10	3.57	7.92	1.50	1800
50	5/8" x 3/8"	15.875 x 9.53	14.70	10.16	5.08	24.60	15.88	28.72	5.16	10.31	1.96	3000
60	3/4" x 1/2"	19.05 x 12.70	17.28	11.91	5.94	26.99	19.05	36.25	5.16	11.91	2.40	4200
80	1" x 5/8"	25.4 x 15.88	23.24	15.87	7.92	35.32	25.40	48.64	6.75	15.88	3.14	7400

WA2 Attachments



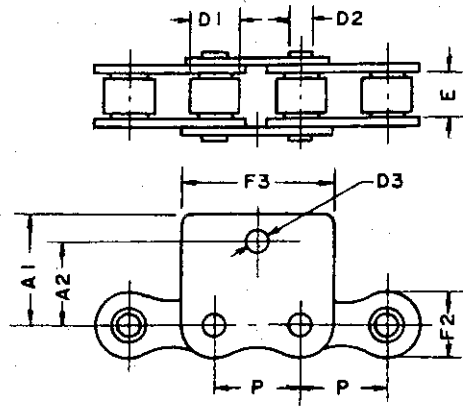
WK2 Attachments



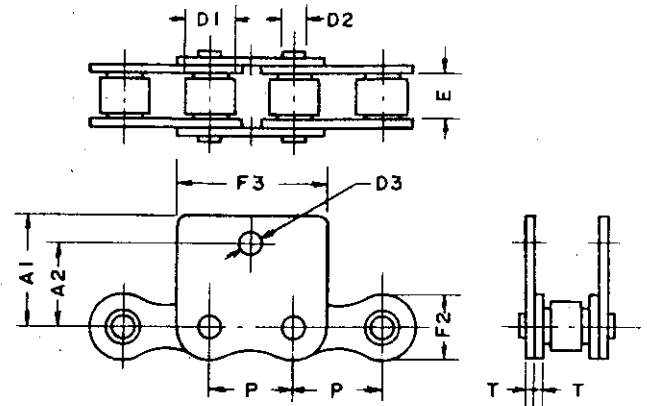
ANSI Chain No.	P x E		F2	D1	D2	A1	A2	F3	D3	G	M	T	Ave Util. Strength kg
	inch	mm											
35	3/8" x 3/16"	9.525 x 4.80	8.80	5.08	3.58	14.29	9.52	18.33	2.78	6.35	9.52	1.25	1050
40	1/2" x 5/16"	12.7 x 7.95	11.75	7.92	3.96	17.46	12.70	23.10	3.57	7.92	12.70	1.50	1800
50	5/8" x 3/8"	15.875 x 9.53	14.70	10.16	5.08	24.60	15.88	28.72	5.16	10.31	15.88	1.96	3000
60	3/4" x 1/2"	19.05 x 12.70	17.28	11.91	5.94	26.99	19.05	36.25	5.16	11.91	19.05	2.40	4200
80	1" x 5/8"	25.4 x 15.88	23.24	15.87	7.92	35.32	25.40	48.64	6.75	15.88	25.40	3.14	7400

ATTACHMENTS • Standard Roller Chains

WM35 Attachments

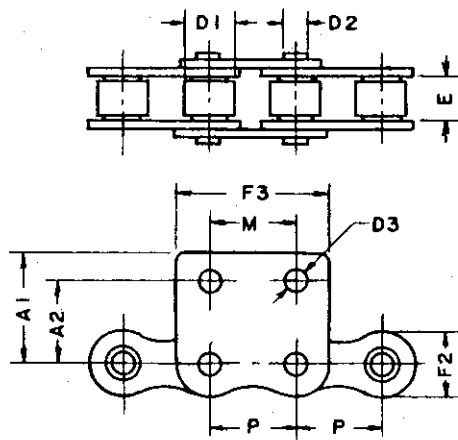


WM1 Attachments

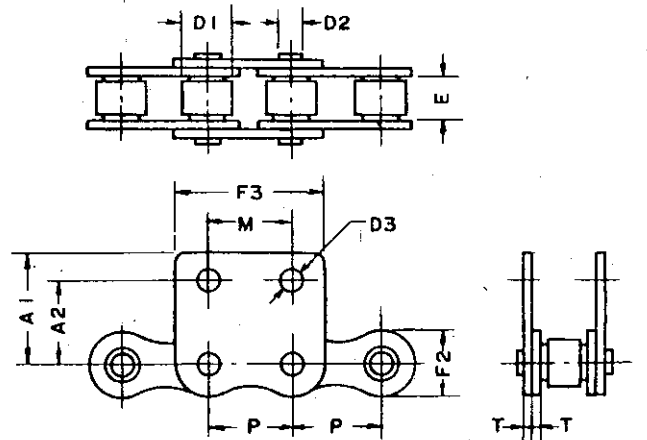


ANSI Chain No.	P x E		F2	D1	D2	A1	A2	F3	D3	T	Ave. Ulti. Strength kg
	inch	mm									
35	3/8"x3/16"	9.525 x 4.80	8.80	5.08	3.58	14.68	9.52	18.33	2.78	1.25	1050
40	1/2"x5/16"	12.7 x 7.95	11.75	7.92	3.96	17.30	12.70	23.10	3.57	1.50	1800
50	5/8"x3/8"	15.875 x 9.53	14.70	10.16	5.08	24.61	15.88	28.72	5.16	1.96	3000
60	3/4"x1/2"	19.05 x 12.70	17.28	11.91	5.94	26.00	18.26	36.25	5.16	2.40	4200
80	1" x 5/8"	25.4 x 15.88	23.24	15.87	7.92	34.13	24.61	48.64	6.75	3.14	7400

WM35-2 Attachments



WM2 Attachments

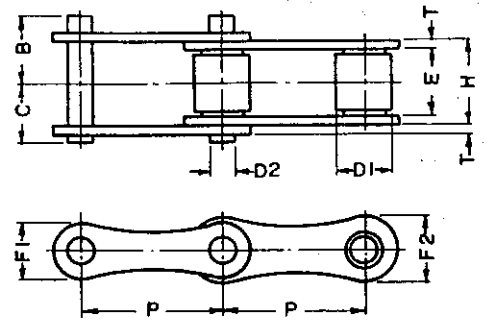


ANSI Chain No.	P x E		F2	D1	D2	A1	A2	F3	D3	M	T	Ave. Ulti. Strength kg
	inch	mm										
35	3/8"x3/16"	9.525 x 4.80	8.80	5.08	3.58	14.68	9.52	18.33	2.78	9.52	1.25	1050
40	1/2"x5/16"	12.7 x 7.95	11.75	7.92	3.96	17.30	12.70	23.10	3.57	12.70	1.50	1800
50	5/8"x3/8"	15.875 x 9.53	14.70	10.16	5.08	24.61	15.88	28.72	5.16	15.88	1.96	3000
60	3/4"x1/2"	19.05 x 12.70	17.28	11.91	5.94	26.00	18.26	36.25	5.16	19.05	2.40	4200
80	1" x 5/8"	25.4 x 15.88	23.24	15.87	7.92	34.13	24.61	48.64	6.75	25.40	3.14	7400



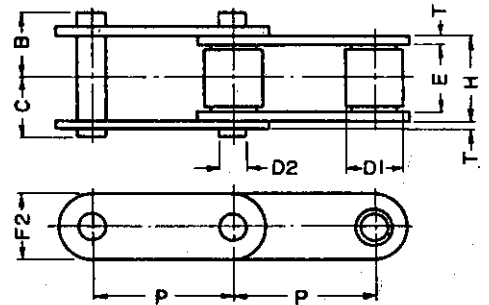
ROLLER CHAIN FOR AGRICULTURAL IMPLEMENTS

Drive Series



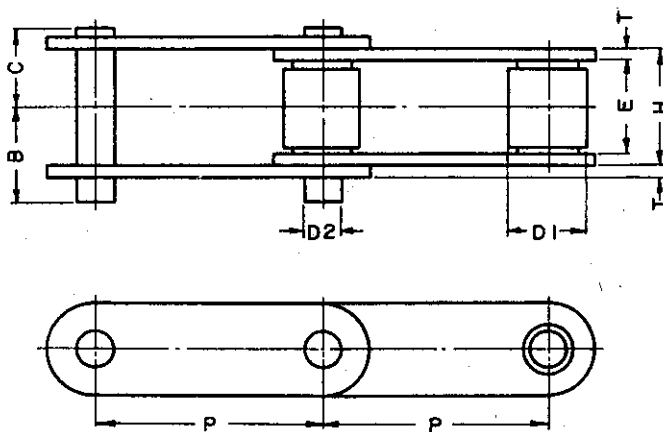
ANSI Chain No.	P x E		H	B	C	F1	F2	D1	D2	T	Weight kg/m	Ave. Util Strength kg		
	inch	mm												
A550	1.630"	0.780"	41.40	19.81	25.91	20.9	17.3	16.60	19.80	16.80	7.14	2.68	1.75	5200

Conveyor Series

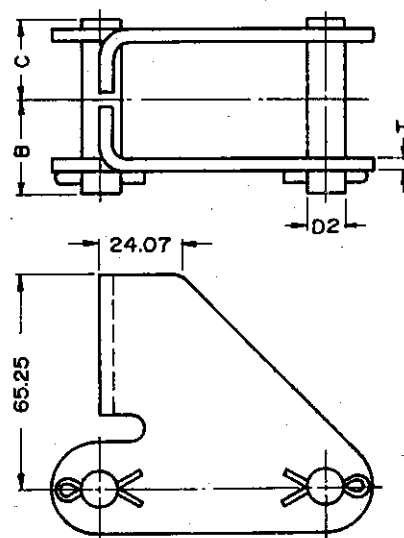


ANSI Chain No.	P x E		H	B	C	F2	D1	D2	T	Weight kg/m	Ave. Util Strength kg		
	inch	mm											
CA550	1.630"	0.780"	41.40	19.81	25.91	20.9	17.3	19.52	16.80	7.14	2.68	1.84	5500
CA555	1.630"	1/2"	41.40	12.70	19.10	18.1	14.6	19.52	16.80	7.14	3.14	1.77	5700
CA557	1.630"	3/4"	41.40	19.05	26.05	21.6	17.9	22.30	17.75	7.99	3.14	2.37	6200

SIX CONVEYOR CHAIN

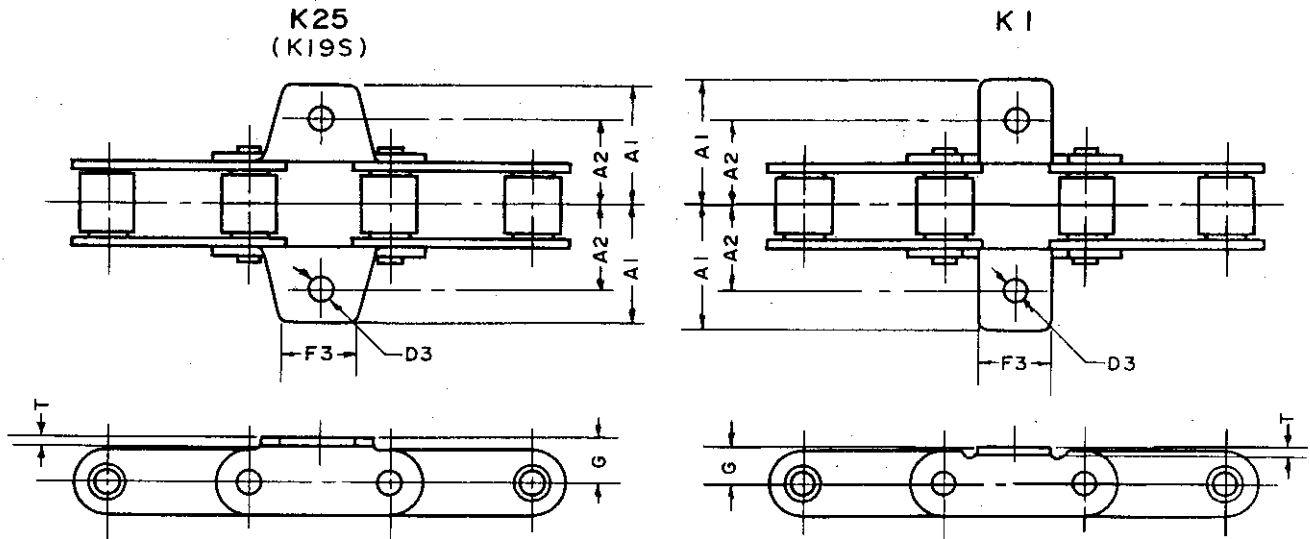


"H" TYPE CONN. LINK (COTTER PIN TYPE)



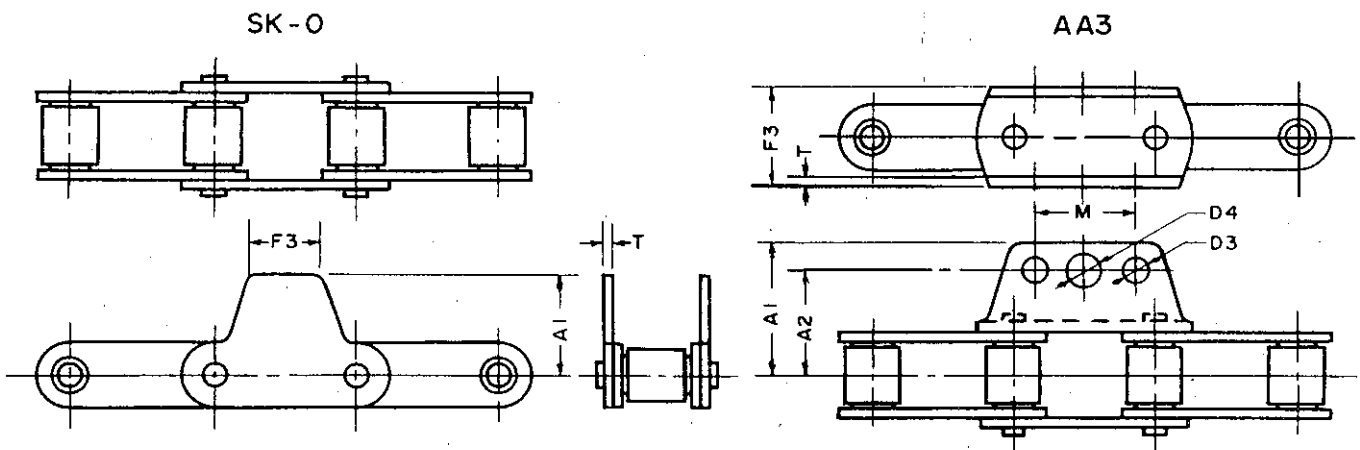
ANSI Chain No.	P x E		H	B	C	F2	D1	D2	T	Weight kg/m	Ave. Util Strength kg		
	inch	mm											
81X	2.609"	1-1/16"	66.27	27.00	35.25	28.6	23.8	28.70	23.00	11.10	3.96	3.69	13100

ATTACHMENTS FOR CA550 ROLLER CHAIN



Dimensions-mm

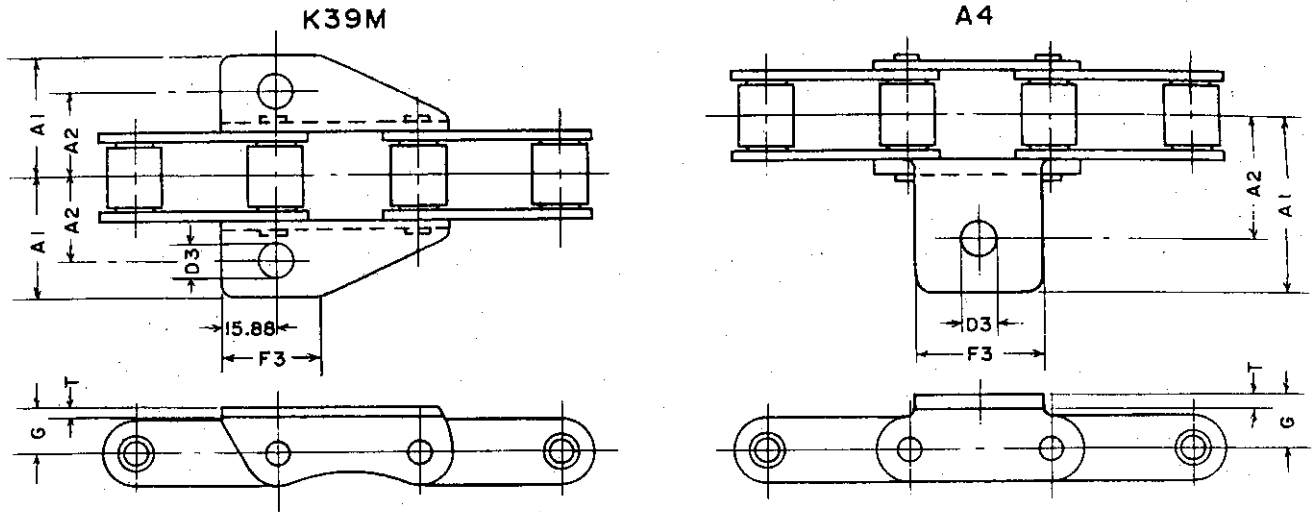
Attachment	Chain No.	A1	A2	F3	D3	G	T
K25	CA550	35.32	25.40	22.22	8.33	12.70	2.68
K1	CA550	37.70	25.40	22.22	6.75	10.72	2.68



Dimensions-mm

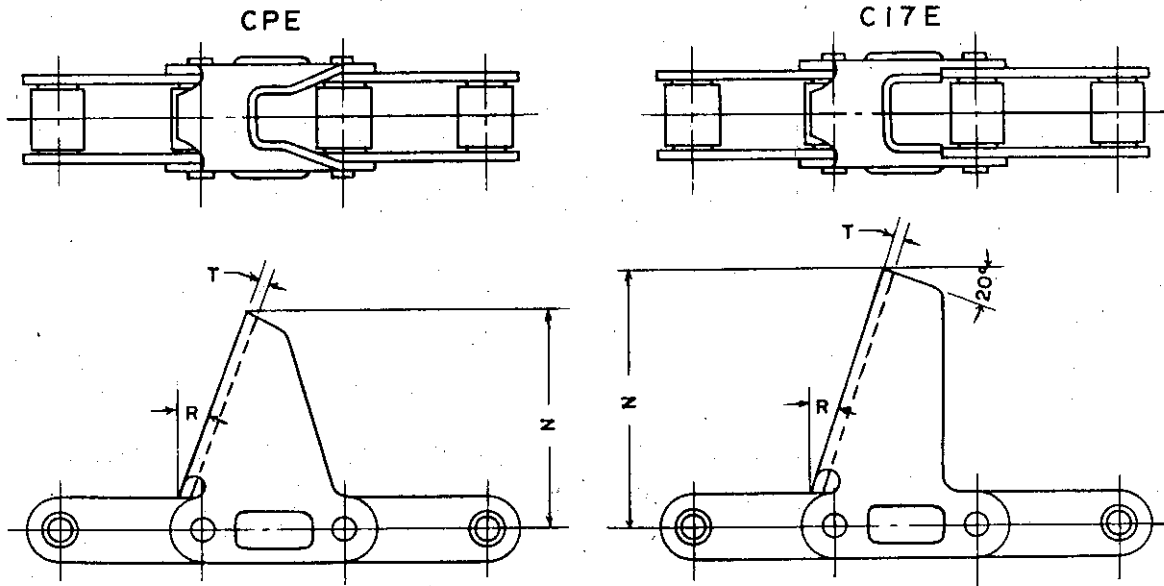
Attachment	Chain No.	A1	A2	M	D3	D4	F3	T
SK-0	CA550	30.60					22.22	2.68
AA3	CA550	40.25	31.95	30.20	8.20	10.00	30.00	3.18

ATTACHMENTS FOR CA550 ROLLER CHAIN



Dimensions - mm

Attachment	Chain No.	A1	A2	F3	D3	G	T
K39M	CA550	35.72	25.40	29.50	9.78	12.70	2.68
A4	CA550	52.39	36.91	38.10	10.32	15.88	4.76

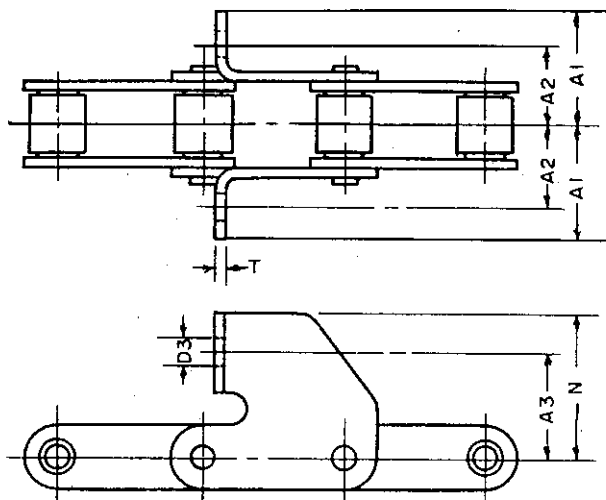


Dimensions - mm

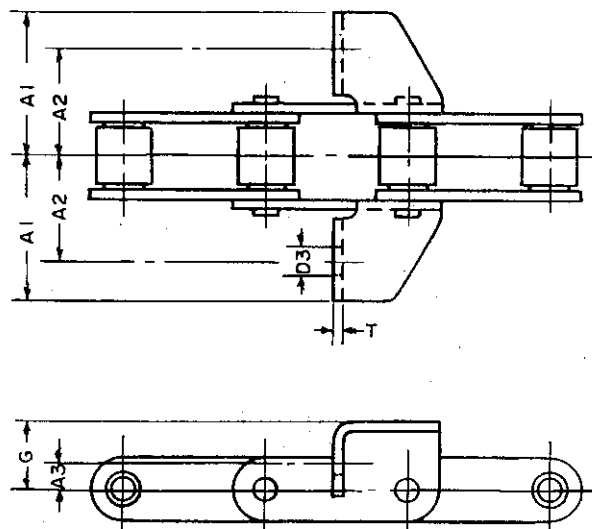
Attachment	Chain No.	R	N	T
CPE	CA550	20°	64.7	2.68
C17E	CA550	17 1/2°	76.2	2.68

ATTACHMENTS FOR CA550 ROLLER CHAIN

F4



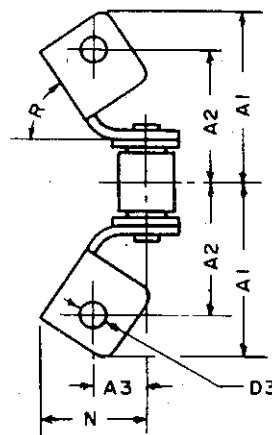
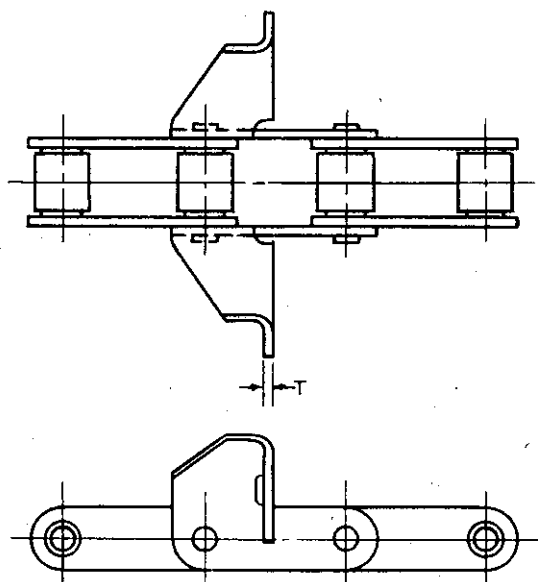
GD21



Dimensions-mm

Attachment	Chain No.	A1	A2	D3	N	A3	G	T
F4	CA550	34.15	23.80	8.33	42.90	30.90		2.68
GD21	CA550	43.03	31.75	8.33		8.33	20.24	2.68

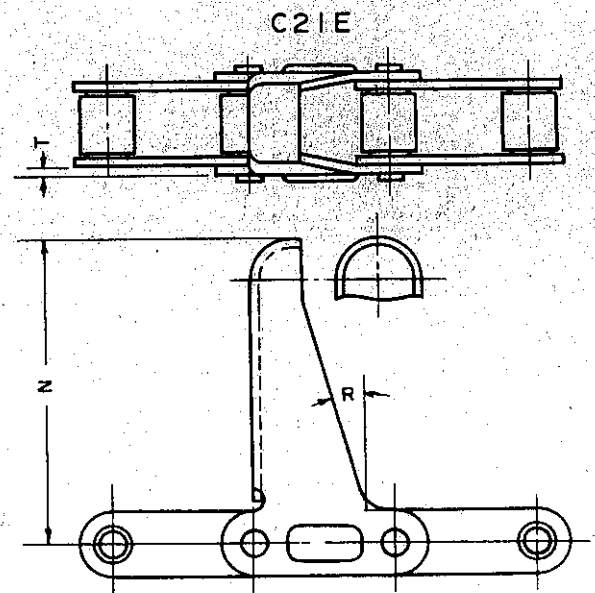
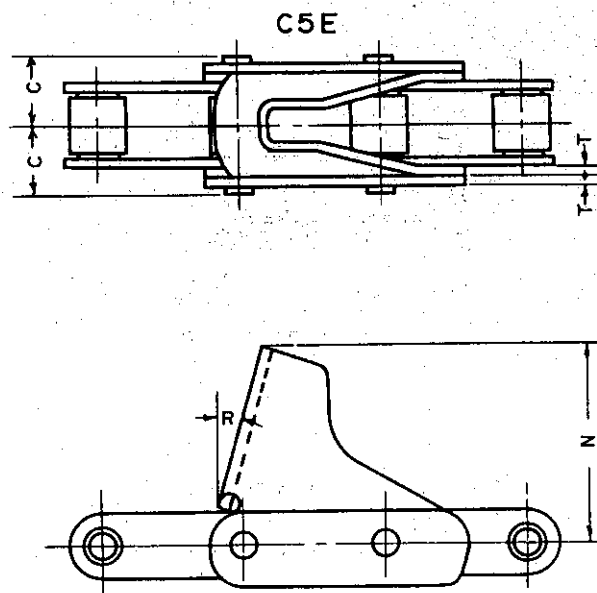
F14



Dimensions-mm

Attachment	Chain No.	A1	A2	D3	N	A3	R	T
F14	CA550	52.39	39.69	8.33	31.75	15.88	57°	2.68

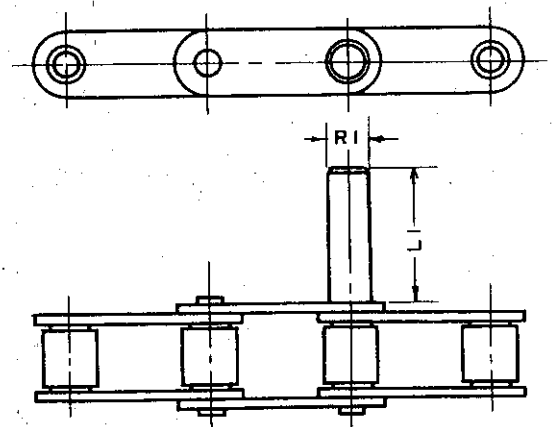
ATTACHMENTS FOR CA550 ROLLER CHAIN



Dimensions-mm

Attachment	Chain No.	R	N	C	T
C5E	CA550	15°	59.00	21.1	3.14
C21E	CA550	16°	92.07		2.68

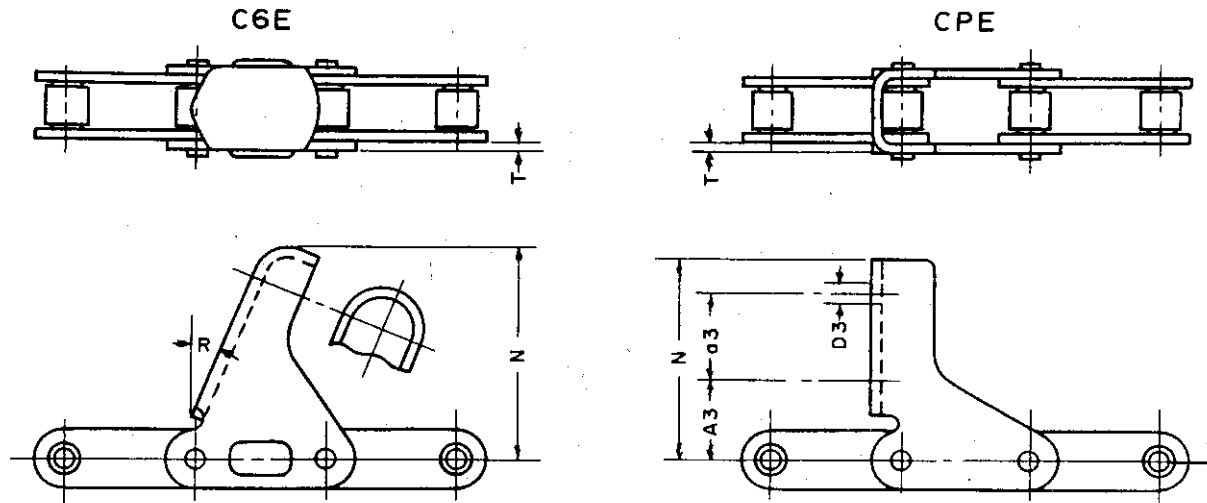
D-1 EXTENDED PIN



Dimensions-mm

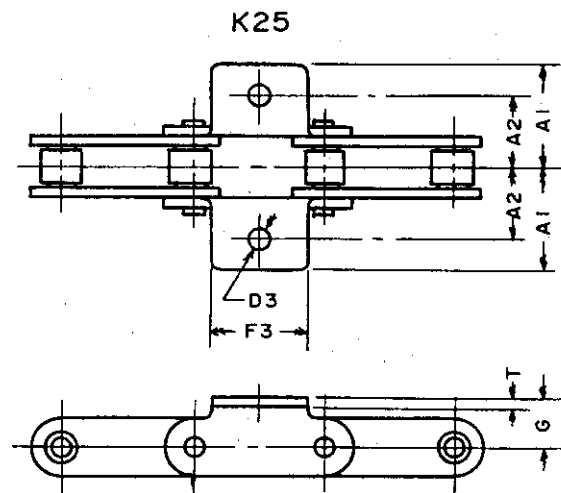
Attachment	Type	Chain No.	RI	LI
D-1	A	CA550	12.70	50.80
D-1	B	CA550	12.70	41.28
D-1	C	CA550	11.11	38.10

ATTACHMENTS FOR C-2060H ROLLER CHAIN



Dimensions-mm

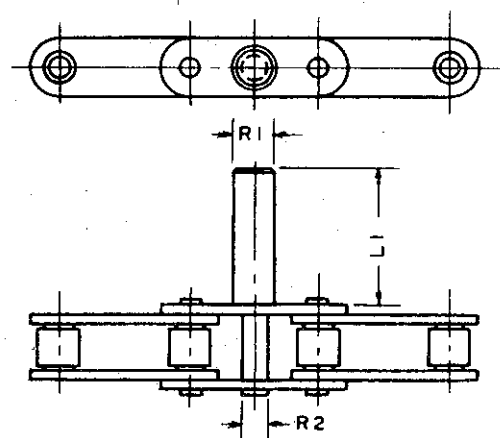
Attachment	Chain No.	R	D3	N	A3	a3	T
C6E	C-2060H	22-1/2°		63.50			3.14
CPE	C-2060H		5.90	59.44	23.55	25.40	3.14



Dimensions-mm

Attachment	Chain No.	A1	A2	F3	D3	G	T
K25	C-2060H	30.56	21.43	28.58	6.76	14.69	3.14

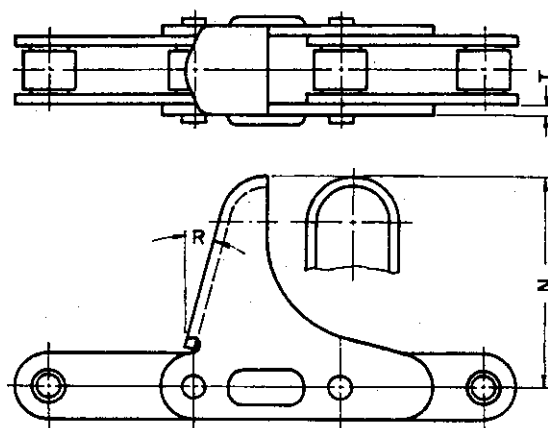
D-5 EXTENDED PIN



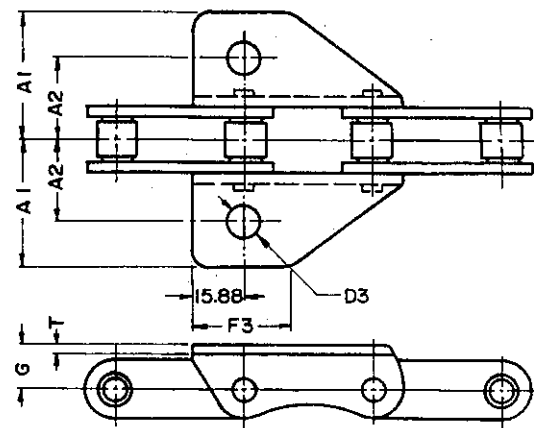
Dimensions-mm

Attachment	Type	Chain No.	R1	R2	L1
D-5	A	C-2060H	12.70	8.08	41.28
D-5	B	C-2060H	14.28	7.87	41.28

C6E ATTACHMENT FOR CA555 ROLLER CHAIN



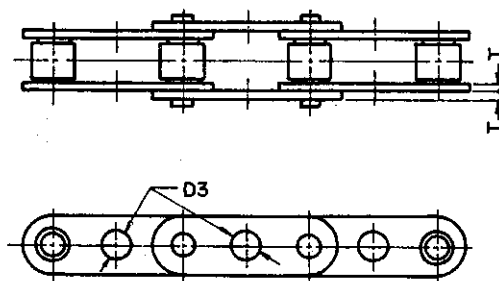
K39M ATTACHMENT FOR CA557 ROLLER CHAIN



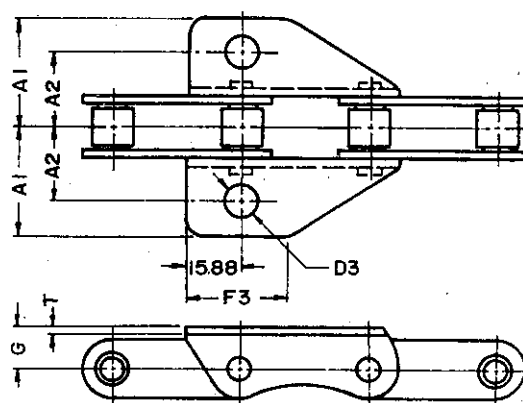
Dimensions-mm

Attachment	Chain No.	R	N	A1	A2	F3	D3	G	T
C6E	CA555	15°	63.50						3.14
K39M	CA557			31.75	21.42	29.50	9.78	12.70	3.14

G1 ATTACHMENT FOR C-2060H ROLLER CHAIN



K39M ATTACHMENT FOR C-2060 ROLLER CHAIN



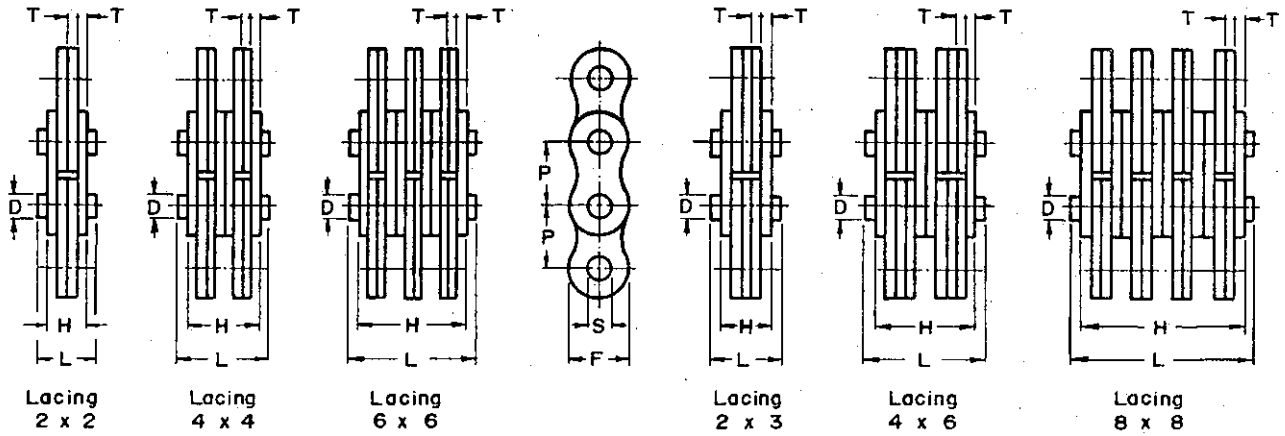
Dimensions-mm

Attachment	Type	Chain No.	D3	T
G1	A	C-2060H	6.45	3.14
G1	B	C-2060H	7.99	3.14
G1	C	C-2060H	8.05	3.14
G1	D	C-2060H	8.38	3.14
G1	E	C-2060H	9.58	3.14

Dimensions-mm

Attachment	Chain No.	A1	A2	F3	D3	G	T
K39M	C-2060	31.75	21.42	29.50	9.78	12.70	2.40

LEAF CHAINS

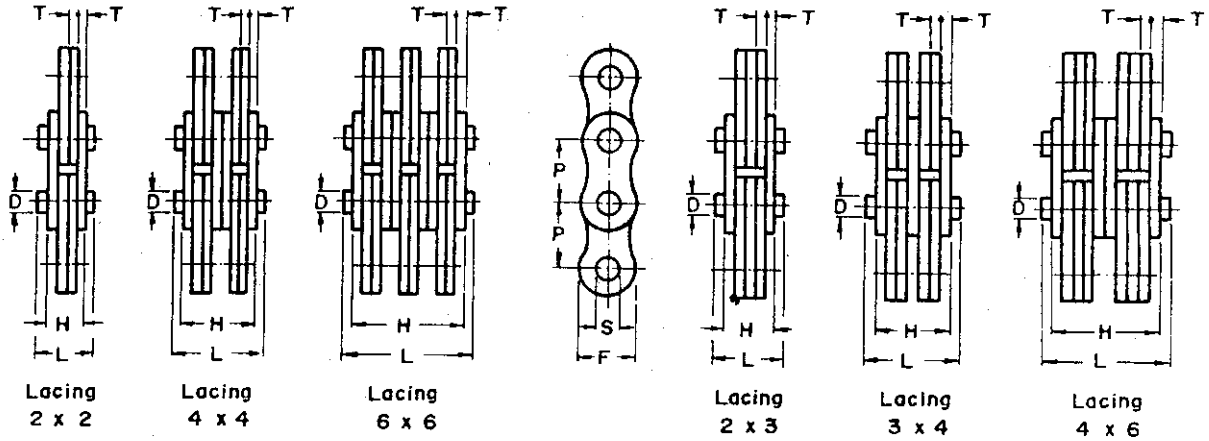


TYPE A

Chain No.	P	Lacing	H max.	L max.	D max.	S min.	F max.	T max.	Weight kg/m	Ave. U.T.T. Strength kg
AL-222	6.35	2 x 2	3.40	5.00	2.31	2.34	5.00	0.76	0.09	420
AL-322	9.525	2 x 2	5.44	6.85	3.59	3.64	7.40	1.26	0.23	1050
AL-422	12.7	2 x 2	6.28	8.10	3.97	4.01	10.40	1.47	0.36	1800
AL-444		4 x 4	12.16	14.40						
AL-466		6 x 6	18.04	20.50						
AL-522	15.875	2 x 2	8.40	10.80	5.09	5.14	12.85	1.99	0.60	3000
AL-523		2 x 3	10.50	12.90						
AL-544		4 x 4	16.80	19.40						
AL-566		6 x 6	25.20	28.00						
AL-622	19.05	2 x 2	9.80	12.50	5.95	6.02	14.85	2.36	0.80	4200
AL-644		4 x 4	19.60	22.10						
AL-646		4 x 6	24.50	26.90						
AL-666		6 x 6	29.40	31.80						
AL-822	25.4	2 x 2	13.36	16.40	7.93	7.98	19.86	3.15	1.36	7100
AL-844		4 x 4	26.72	29.90						
AL-866		6 x 6	40.08	42.80						
AL-888		8 x 8	53.44	56.50						
AL-1044	31.75	4 x 4	33.00	37.20	9.53	9.61	26.00	3.97	5.36	23000
AL-1066		6 x 6	49.50	53.20						
AL-1088		8 x 8	66.00	69.20						
AL-1244	38.1	4 x 4	39.44	44.20	11.11	11.22	29.70	4.74	6.45	29000
AL-1266		6 x 6	59.16	63.20						
AL-1288		8 x 8	78.88	83.10						



LEAF CHAINS



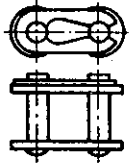
TYPE B

Chain No.	P	Lacing	H max.	L max.	D max.	S min.	F max.	T max.	Weight kg/m	Ave. Utl Strength kg
BL- 422	12.7	2 x 2	8.40	10.80	5.09	5.14	11.80	1.99	0.61	2700
BL- 423		2 x 3	10.50	12.90					0.72	2700
BL- 434		3 x 4	14.70	17.10					0.99	4050
BL- 444		4 x 4	16.80	19.40					1.14	5400
BL- 446		4 x 6	21.00	23.70					1.41	5400
BL- 466	6 x 6	25.20	28.00	1.69	8100					
BL- 522	15.875	2 x 2	9.80	12.50	5.95	6.02	14.73	2.36	0.86	4250
BL- 523		2 x 3	12.25	14.90					1.05	4250
BL- 534		3 x 4	17.15	19.80					1.47	6400
BL- 544		4 x 4	19.60	22.10					1.67	8500
BL- 546		4 x 6	24.50	26.90					2.08	8500
BL- 566	6 x 6	29.40	31.80	2.49	12750					
BL- 622	19.05	2 x 2	13.36	16.40	7.93	7.98	18.10	3.15	1.43	6550
BL- 623		2 x 3	16.70	19.90					1.75	6550
BL- 634		3 x 4	23.38	26.60					2.42	10000
BL- 644		4 x 4	26.72	29.90					2.76	13200
BL- 646		4 x 6	33.40	36.40					3.45	13200
BL- 666	6 x 6	40.08	42.80	4.14	19800					
BL- 822	25.4	2 x 2	16.50	20.40	9.53	9.61	23.24	3.97	2.41	10500
BL- 823		2 x 3	20.63	24.70					2.99	10500
BL- 834		3 x 4	28.88	32.60					4.16	15500
BL- 844		4 x 4	33.00	37.20					4.77	21000
BL- 846		4 x 6	41.25	44.70					5.94	21000
BL- 866	6 x 6	49.50	53.20	7.12	30000					
BL-1022	31.75	2 x 2	19.72	25.20	11.11	11.22	30.24	4.74	3.64	15000
BL-1023		2 x 3	24.65	29.90					4.52	15000
BL-1034		3 x 4	34.50	39.50					6.28	22500
BL-1044		4 x 4	39.44	44.20					7.17	30000
BL-1046		4 x 6	49.30	53.70					8.95	30000
BL-1066	6 x 6	59.16	63.20	10.68	45000					
BL-1222	38.1	2 x 2	23.08	28.50	12.7	12.81	35.93	5.55	5.53	20000
BL-1223		2 x 3	28.85	34.10					6.88	20000
BL-1234		3 x 4	40.40	45.30					9.56	30000
BL-1244		4 x 4	46.16	50.90					10.91	40000
BL-1246		4 x 6	57.70	62.10					13.59	40000
BL-1266	6 x 6	69.24	73.30	16.27	60000					
BL-1422	44.45	2 x 2	26.30	32.00	14.27	14.40	41.40	6.40	6.75	24000
BL-1423		2 x 3	32.88	38.30					8.37	24000
BL-1434		3 x 4	46.02	51.30					11.77	36000
BL-1444		4 x 4	52.60	57.80					13.25	48000
BL-1446		4 x 6	65.75	70.30					16.50	48000
BL-1466	6 x 6	78.90	83.30	19.75	72000					

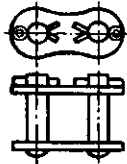


ROLLER CHAIN PARTS

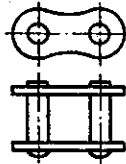
CONN. LINK
spring
clip type



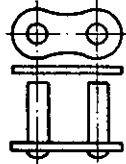
CONN. LINK
cotter pin
type



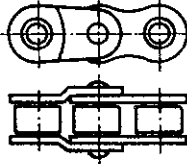
CONN. LINK
snap-on
type



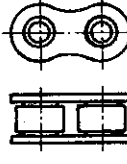
PIN LINK
rivet-on
type



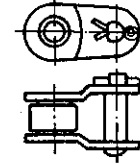
TWO PITCH
OFFSET
LINK



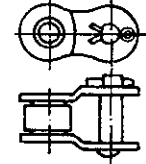
ROLLER
LINK



Offset Link
cotter pin
type



Offset Link
contour
side bar



CONN. LINK spring clip type	CONN. LINK cotter pin type	CONN. LINK snap-on type	PIN LINK rivet-on type	TWO PITCH OFFSET LINK	ROLLER LINK	Offset Link cotter pin type	Offset Link contour side bar
			408		408		
410		410	410	410	410	410	410
415		415	415		415	415	415
510			510		510		
515			515		515		515
ANSI 25			ANSI 25	ANSI 25	ANSI 25		
ANSI 25H			ANSI 25H		ANSI 25H		
ANSI 35	ANSI 35		ANSI 35	ANSI 35	ANSI 35	ANSI 35	ANSI 35
ANSI 41	ANSI 41		ANSI 41	ANSI 41	ANSI 41	ANSI 41	
ANSI 40	ANSI 40		ANSI 40	ANSI 40	ANSI 40	ANSI 40	
ANSI 50	ANSI 50		ANSI 50	ANSI 50	ANSI 50	ANSI 50	
ANSI 50H	ANSI 50H		ANSI 50H	ANSI 50H	ANSI 50H	ANSI 50H	
ANSI 60	ANSI 60		ANSI 60	ANSI 60	ANSI 60	ANSI 60	
ANSI 60H	ANSI 60H		ANSI 60H	ANSI 60H	ANSI 60H	ANSI 60H	
ANSI 80	ANSI 80		ANSI 80	ANSI 80	ANSI 80	ANSI 80	
ANSI 80H	ANSI 80H		ANSI 80H	ANSI 80H	ANSI 80H	ANSI 80H	
	ANSI 100		ANSI 100	ANSI 100	ANSI 100	ANSI 100	
	ANSI 100H		ANSI 100H	ANSI 100H	ANSI 100H	ANSI 100H	
	ANSI 120		ANSI 120	ANSI 120	ANSI 120	ANSI 120	
	ANSI 120H		ANSI 120H	ANSI 120H	ANSI 120H	ANSI 120H	
	ANSI 140		ANSI 140	ANSI 140	ANSI 140	ANSI 140	
	ANSI 160		ANSI 160	ANSI 160	ANSI 160	ANSI 160	
ANSI A2040	ANS A2040		ANSI A2040		ANSI A2040		ANSI A2040
ANSI A2050	ANSI A2050		ANSI A2050		ANSI A2050		ANSI A2050
ANSI A2060	ANSI A2060		ANSI A2060		ANSI A2060		ANSI A2060
ANSI C2040	ANSI C2040		ANSI C2040		ANSI C2040	ANSI C2040	
ANSI C2042	ANSI C2042		ANSI C2042		ANSI C2042	ANSI C2042	
ANSI C2050	ANSI C2050		ANSI C2050		ANSI C2050	ANSI C2050	
ANSI C2052	ANSI C2052		ANSI C2052		ANSI C2052	ANSI C2052	
ANSI C2060	ANSI C2060		ANSI C2060		ANSI C2060	ANSI C2060	
ANSI C2060H	ANSI C2060H		ANSI C2060H		ANSI C2060H	ANSI C2060H	
ANSI C2062H	ANSI C2062H		ANSI C2062H		ANSI C2062H	ANSI C2062H	
	ANSI C2080H		ANSI C2080H		ANSI C2080H	ANSI C2080H	
	ANSI C2082H		ANSI C2082H		ANSI C2082H	ANSI C2082H	
	ANSI C2100H		ANSI C2100H		ANSI C2100H	ANSI C2100H	
	ANSI C2102H		ANSI C2102H		ANSI C2102H	ANSI C2102H	
	ANSI C2120H		ANSI C2120H		ANSI C2120H	ANSI C2120H	
	ANSI C2122H		ANSI C2122H		ANSI C2122H	ANSI C2122H	
	ANSI CA550		ANSI CA550		ANSI CA550	ANSI CA550	
	ANSI CA555		ANSI CA555		ANSI CA555	ANSI CA555	
	ANSI CA557		ANSI CA557		ANSI CA557	ANSI CA557	
415B			415B		415B	415B	
415H			415H		415H	415H	
420			420		420	420	
423			423	423	423	423	
425			425		425	425	
428			428		428	428	
428H			428H		428H	428H	
520			520		520	520	
520HP			520HP		520HP	520HP	
525			525		525	525	
530			530		530	530	
530HP			530HP		530HP	530HP	
420D			420D		420D	420D	
520D			520D		520D	520D	
ISO 083			ISO 083	ISO 083	ISO 083	ISO 083	
ISO 04			ISO 04		ISO 04		
ISO 05B			ISO 05B	ISO 05B	ISO 05B		
ISO 06B - I	ISO 06B - I		ISO 06B - I	ISO 06B - I	ISO 06B - I	ISO 06B - I	
ISO 08B - I	ISO 08B - I		ISO 08B - I	ISO 08B - I	ISO 08B - I	ISO 08B - I	
ISO 10B - I	ISO 10B - I		ISO 10B - I	ISO 10B - I	ISO 10B - I	ISO 10B - I	
ISO 12B - I	ISO 12B - I		ISO 12B - I	ISO 12B - I	ISO 12B - I	ISO 12B - I	
ISO 16B - I	ISO 16B - I		ISO 16B - I	ISO 16B - I	ISO 16B - I	ISO 16B - I	
	ISO 20B - I		ISO 20B - I	ISO 20B - I	ISO 20B - I	ISO 20B - I	