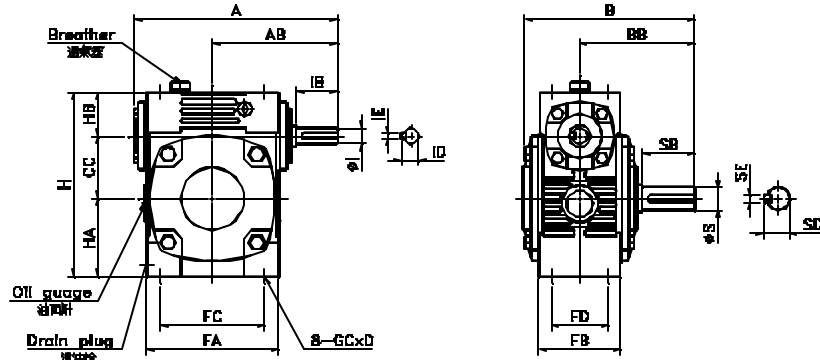


BH 40~135

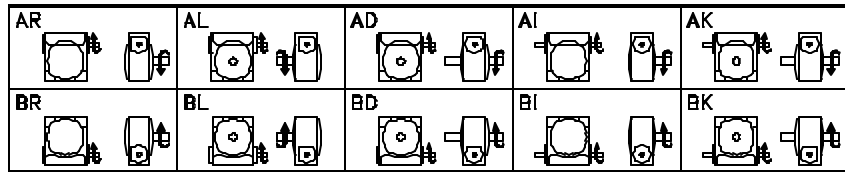


BH 135 - 60 AR
1 2 3 4

1. (Type)
2. (Size)
3. (Ratio)
4. (S. L.)



S.L. (Shaft Location)

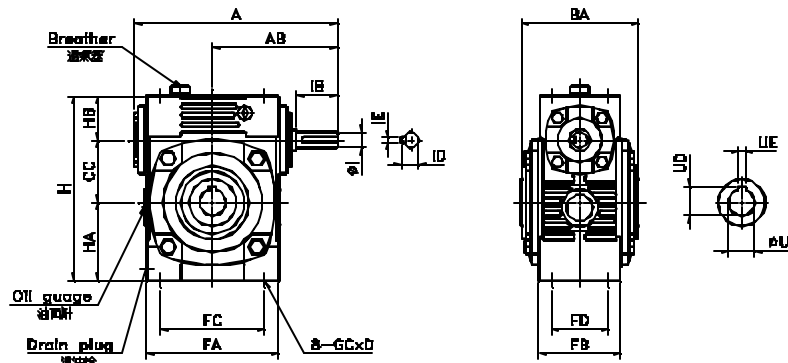


BHO 50~135

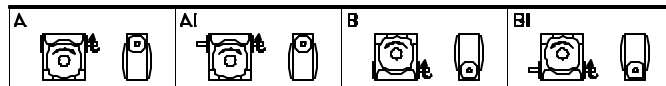


BHO 135 - 60 A
1 2 3 4

1. (Type)
2. (Size)
3. (Ratio)
4. (S. L.)



S.L. (Shaft Location)



Dim. Table

Size	Ratio	A	AB	B	BA	BB	CC	FA	FB	FC	FD	GCxD	H	HA	HB	(^l)	(kg)
40	1:10	160	96	130	-	84	40	102	68	80	54	M8x16L	127	53	34	0.17	4.1
50	1:15	175	105	145	99	95	50	115	68	90	50	M8x16L	150	65	35	0.31	4.7
60	1:20	195	120	165	112	110	60	127	78	100	54	M10x20L	177	75	42	0.44	6.9
70	1:30	234	140	195	131	130	70	156	88	125	66	M10x20L	205	85	50	0.70	11.9
80	1:40	264	160	210	144	140	80	176	101	145	75	M10x20L	232	92	60	0.99	16
100	1:50	322	190	260	175	170	100	227	112	185	85	M12x24L	290	115	75	1.87	35
120	1:60	385	230	290	200	190	120	265	132	220	100	M14x28L	370	155	95	4.1	51
135		435	260	320	216	210	135	298	144	260	110	M16x32L	425	185	105	4.4	72

Size	Ratio	Input Shaft				Output Shaft				Output Hollow		
		I _(h6)	IB	ID	IE	S _(h6)	SB	SD	SE	U	UD	UE
40	1:10	12	28	13.5	4	15	35	17	5	20	23	6
50	1:15	12	30	13.5	4	17	40	19	5	25	28	7
60	1:20	15	40	17	5	22	50	25	7	25	28	7
70	1:30	18	40	20	5	28	60	31	7	30	33	7
80	1:40	22	50	25	7	32	65	35	10	35	38	10
100	1:50	25	50	28	7	38	75	41	10	40	43	12
120	1:60	30	65	33	7	45	85	48	12	45	48.5	14
135		35	75	38	10	55	95	60	15	55	60	15