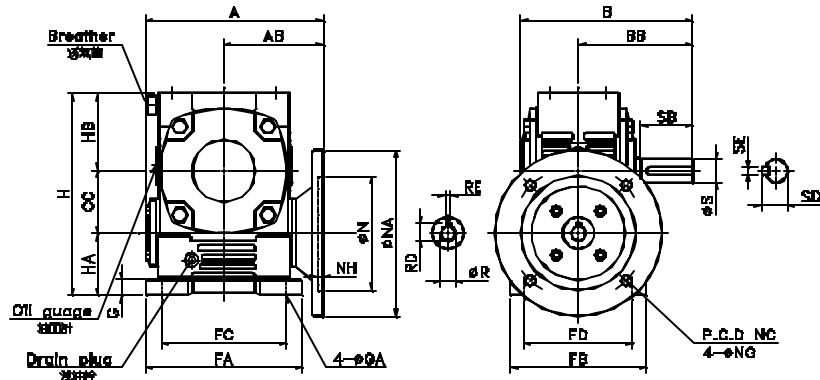


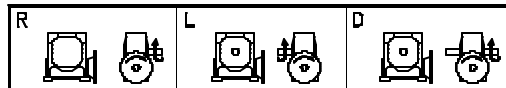
BHBE 40~135



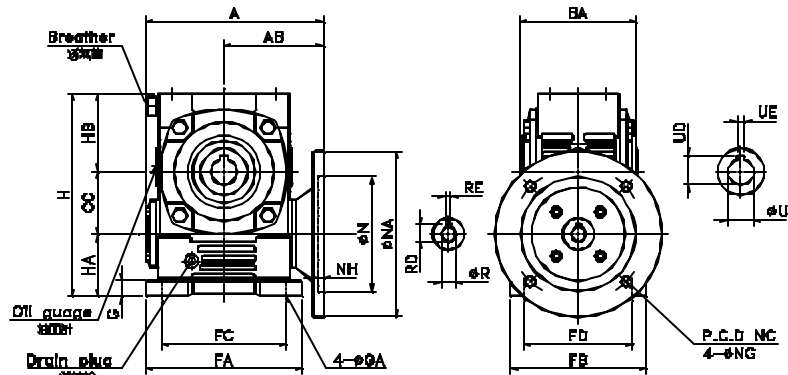
BHBE 80 - 60 R - 1HP  
1 2 3 4 5

1. (Type)
2. (Size)
3. (Ratio)
4. (S. L.)
5. (Power)

S.L. (Shaft Location)



BHBEO 50~135



BHBEO 80 - 60 - 1HP  
1 2 3 4

1. (Type)
2. (Size)
3. (Ratio)
4. (Power)

Dim. Table

Size	Ratio	A	AB	B	BA	BB	CC	FA	FB	FC	FD	G	GA	H	HA	HB	( <sup>1</sup> )	(kg)
40	1:10	150	89	130	-	84	40	125	110	100	90	12	10	140	47	53	0.18	5.4
50	1:15	163	85	145	99	95	50	140	120	110	95	13	11	165	50	65	0.31	6.0
60	1:20	177	90	165	112	110	60	150	130	120	105	15	11	195	60	75	0.44	7.4
70	1:30	211	117	195	131	130	70	190	150	150	115	18	15	225	70	85	0.70	14.4
80	1:40	233	129	210	144	140	80	220	170	180	135	18	15	252	80	92	0.99	20
100	1:50	286	160	260	175	170	100	270	190	220	155	22	15	315	100	115	1.87	39
120	1:60	349	180	290	200	190	120	320	230	260	180	22	18	395	120	155	4.1	60
135		373	201	320	216	210	135	350	250	290	200	27	18	455	135	185	4.4	81

Size	Ratio	Input Bore			Input Adapter				Output Shaft				Output Hollow			Power	
		R	RD	RE	N(h7)	NA	NC	NG	NH	S(h6)	SB	SD	SE	U	UD		UE
40	1:10	11	12.8	4	110	160	130	10	5	15	35	17	5	20	23	6	0.25HP
50	1:15	11	12.8	4	110	160	130	10	5	17	40	19	5	25	28	7	0.25HP
60	1:20	11	12.8	4	110	160	130	10	5	22	50	25	7	25	28	7	0.25HP
	1:30	14	16.3	5	110	160	130	10	5	22	50	25	7	25	28	7	0.5HP
70	1:40	14	16.3	5	110	160	130	10	5	28	60	31	7	30	33	7	0.5HP
	1:50	19	21.8	6	130	200	165	12	5	28	60	31	7	30	33	7	1HP
80	1:60	19	21.8	6	130	200	165	12	5	32	65	35	10	35	38	10	1HP
		24	27.3	8	130	200	165	12	5	32	65	35	10	35	38	10	2HP
100		24	27.3	8	130	200	165	12	5	38	75	41	10	40	43	12	2HP
		28	31.3	8	180	250	215	15	5	38	75	41	10	40	43	12	3HP
120		28	31.3	8	180	250	215	15	5	45	85	48	12	45	48.5	14	3HP
		28	31.3	8	180	250	215	15	5	45	85	48	12	45	48.5	14	5HP
135		28	31.3	8	180	250	215	15	5	55	95	60	15	55	60	15	5HP
		38	41.3	10	230	300	265	15	5	55	95	60	15	55	60	15	7.5HP