

SPM010P-DR

Multicrystalline Silicon Photovoltaic Module

FEATURE:

- TUV certification
- UL certification
- High power module using 6" Multicrystalline solar cell.
- Using low iron tempered glass, EVA laminate PET backsheet.
- Anodize aluminum frame protected.
- 10 years limited warranty of 90% power output and 25 years limited warranty of 80% power output.

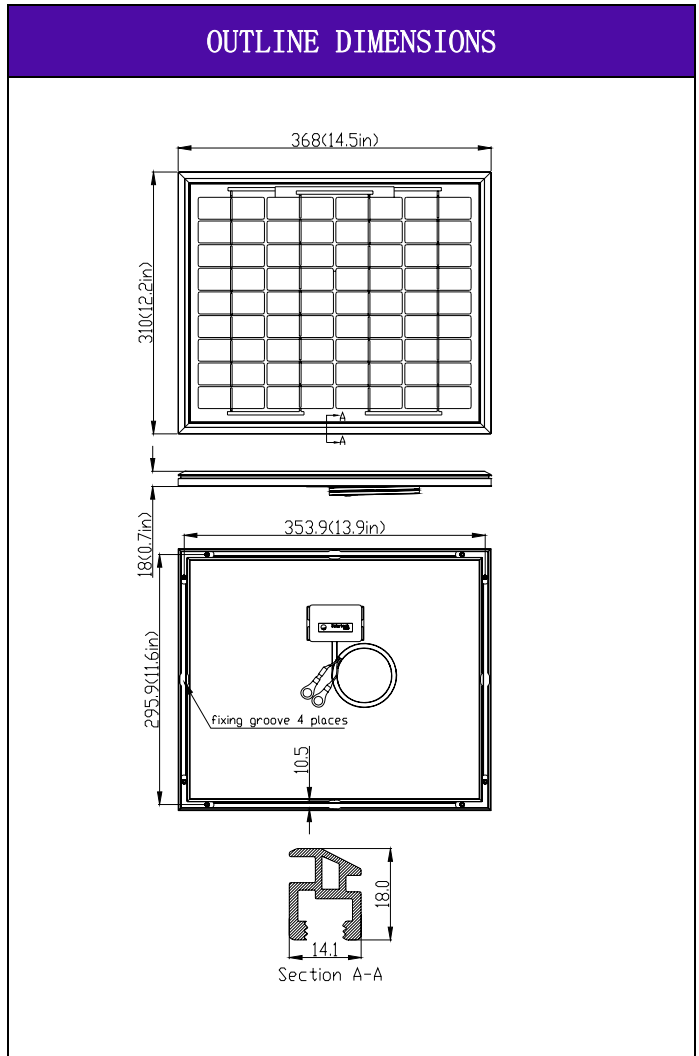
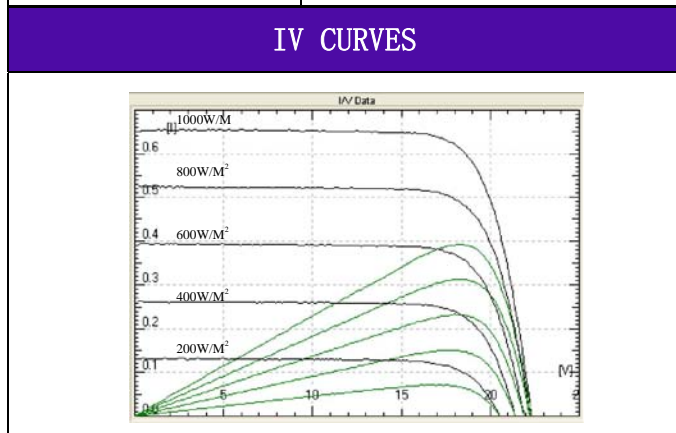


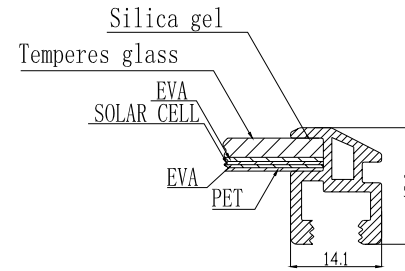
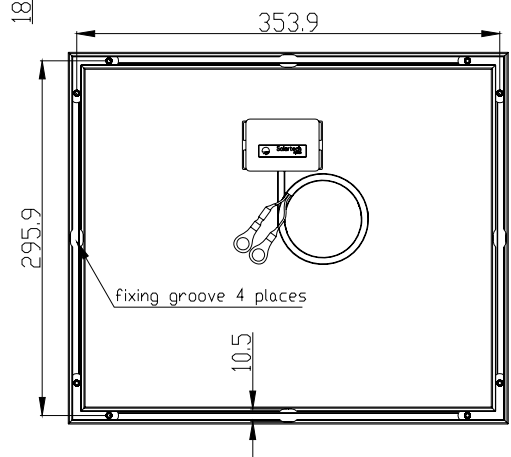
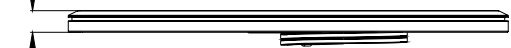
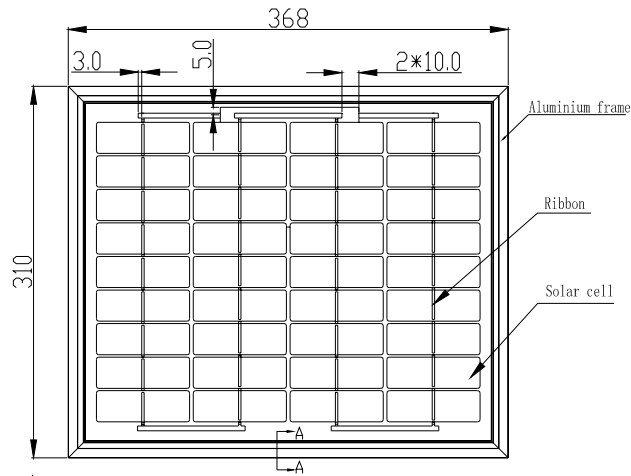
ELECTRICAL CHARACTERISTICS			
	SPM010P-DR	SPM08P-DR	
Power at STC (Pm)	10W	8W	
Maximum power voltage (Vpm)	17.3V	17.1V	
Maximum power current (Ipm)	0.59A	0.46A	
Open circuit voltage (Voc)	21.8V	21.0V	
Short circuit current (Isc)	0.64A	0.61A	
Tolerance	±5%	±5%	
Module efficiency	8.76%	7.1%	
Maximum system voltage	1000V DC		
Standard test conditions	Temperature 25°C, Irradiance 1000W/m ² , AM=1.5		
Temperature coefficient	Isc:0.05%/K	Voc:-0.36%/K	Pmax:-0.46%/K

Specifications	
Cell	Multicrystalline silicon solar cell, (78mmx26mm)
No. of cell and connection	36 (4x9)
Dimension	368mm (14.5in) x310mm (12.2in)x18mm (0.7in)
Weight	1.4KG

AMBIENT CONDITIONS	
Operating Temperature	-40°C to +85°C
Storage Humidity	<90%

OUT PUT	
Type of output terminal	Junction box+diode + "0" terminal
Cable	Length 3000mm





Section A-A
Scale 10:1

Electrical data		
Power at stc(pn)	10W	8W
Maximum power voltage(Vpm)	17.3V	17.1V
Maximum power current(Ipm)	0.59A	0.46A
Open circuit voltage (Voc)	21.8V	21.0V
Short circuit current (Isc)	0.64A	0.61A
Module efficiency	9.52%	7.6%

Parts Name	Description	Unit	Quantity
Temperess glass	3.2mm Temperess Glass342mm×292mm	pcs	1
EVA	EAV Film T:0.46MM	M ²	0.27
Ribbon	60%Sn 40%Pb Ribbon	Kg	0.01
Solar cell	78mm×26mm polycrystalline cell	wp	10
PET	PET Film T:0.2mm	M ²	0.17
Aluminium frame	18mm×14.1mm	M	1.5
Screw	Stainless steel 304U	pcs	8
Junction box	*Solartech* Junction Box Cable3000mm+diode+o*terminal	SET	1

XXXX±2	X* ±0.2
XXX ±1	.X* ±0.1
XX ±0.5	.XX*±0.05
X ±0.2	
.XX ±0.1	



Solartech Power, Inc

UNITS: MM PART NO.: XXX TITLE: SPM010P-DR PV Module

DWG NO.: SPM010PA15G001

APPD BY	CHECK BY	DRAWN BY	SCALE	SHEET	REV.
			NONE	1/2	A

Product picture



Front



Back



Anodized aluminium



Junction



Cable