

SPM010P-NT

Multicrystalline Silicon Photovoltaic Module

FEATURE:

- TUV certification
- UL certification
- High power module using 6" Multicrystalline solar cell.
- Using low iron tempered glass, EVA laminate PET backsheet.
- Anodize aluminum frame protected.
- 10 years limited warranty of 90% power output and 25 years limited warranty of 80% power output.

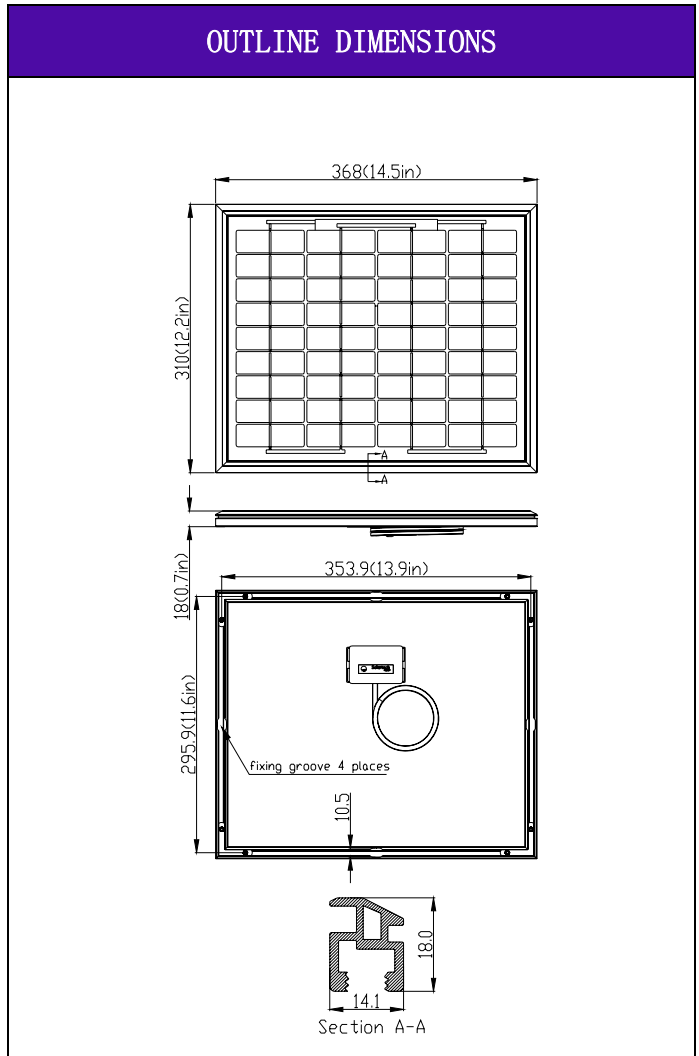
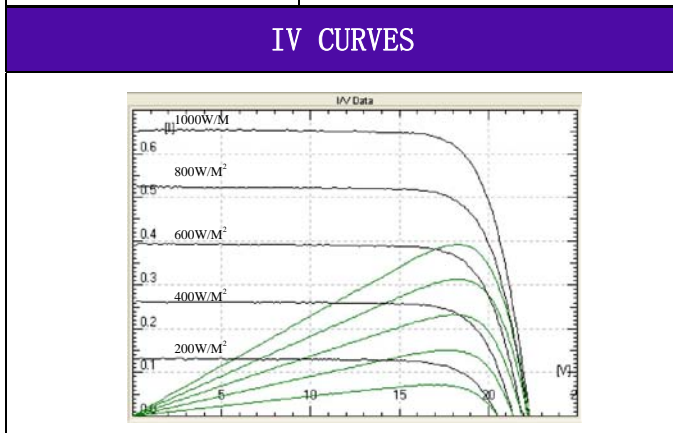


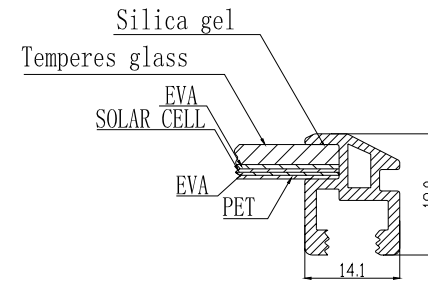
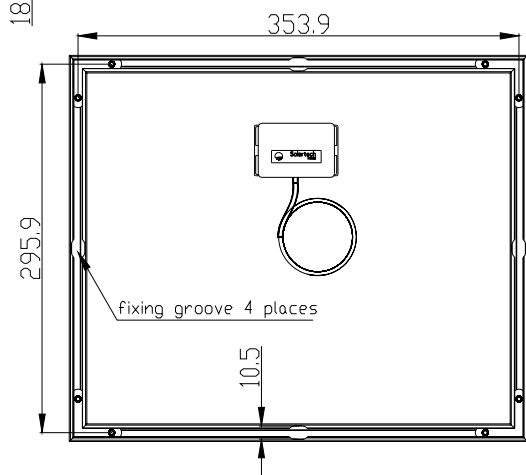
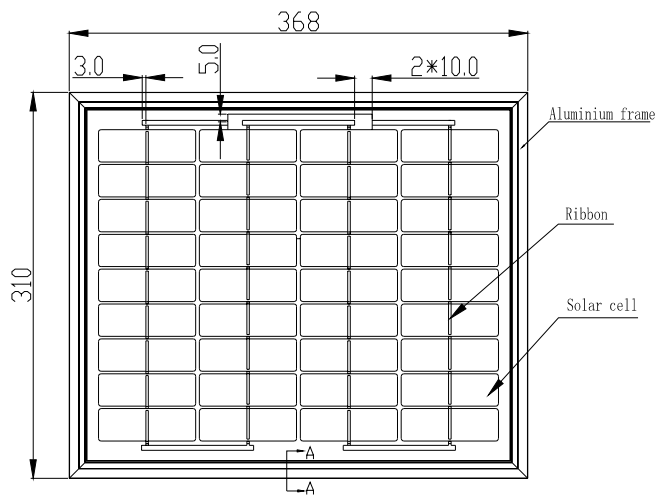
ELECTRICAL CHARACTERISTICS			
	SPM010P-NT	SPM08P-NT	
Power at STC(P _m)	10W	8W	
Maximum power voltage(V _{pm})	17.3V	17.1V	
Maximum power current(I _{pm})	0.59A	0.46A	
Open circuit voltage(V _{oc})	21.8V	21.0V	
Short circuit current(I _{sc})	0.64A	0.61A	
Tolerance	±5%	±5%	
Module efficiency	8.76%	7.1%	
Maximum system voltage	1000V DC		
Standard test conditions	Temperature 25°C, Irradiance 1000W/m ² , AM=1.5		
Temperature coefficient	I _{sc} :0.05%/K	V _{oc} :-0.36%/K	P _{max} :-0.46%/K

Specifications	
Cell	Multicrystalline silicon solar cell, (78mmx26mm)
No. of cell and connection	36(4x9)
Dimension	368mm (14.5in) x310mm(12.2in)x18mm(0.7in)
Weight	1.4KG

AMBIENT CONDITIONS	
Operating Temperature	-40°C to +85°C
Storage Humidity	<90%

OUT PUT	
Type of output terminal	Junction
Cable	Length 3000mm





Section A-A

Scale 10:1

Electrical data		
Power at stc(p _m)	10W	8W
Maximum power voltage(V _{pm})	17.3V	17.1V
Maximum power current(I _{pm})	0.59A	0.46A
Open circuit voltage (V _{oc})	21.8V	21.0V
Short circuit current (I _{sc})	0.64A	0.61A
Module efficiency	9.52%	7.6%

Parts Name	Description	Unit	Quantity
Temperess glass	3.2mm Temperess Glass342mm×292mm	pcs	1
EVA	EAV Film T:0.46MM	M ²	0.27
Ribbon	60%Sn 40%Pb Ribbon	Kg	0.01
Solar cell	78mm*26mm polycrystalline cell	wp	10
PET	PET film T:0.25mm	M ²	0.17
Aluminium frame	18mm×14.1mm	M	1.5
Screw	Stainless steel 304U	pcs	8
Junction box	*Solartech' junction box	SET	1

XXXX±2	X* ±0.2
XXX ±1	.X* ±0.1
XX ±0.5	.XX*±0.05
X ±0.2	
.XX ±0.1	



Solartech Power, Inc

UNITS: MM	PART NO.: xxx	TITLE: SPM010P-NT PV Module
APPD BY	CHECK BY	DRAWN BY
DWG NO.: SPM010PAA5G000		SCALE SHEET REV. NONE 1/2 A

Product picture



Front



Back



Anodized aluminium



Junction



Cable