

SPM120P-NM

Multiply-crystalline Silicon Photovoltaic Module

FEATURE:

- TUV certification
- UL certification
- High power module using 6" multiply crystalline solar cell.
- Using low iron tempered glass, EVA laminate TPT backsheet.
- Anodize aluminum frame protected.
- 10 years limited warranty of 90% power output and 25 years limited warranty of 80% power output.
- diodes to avoid power decreasing by shade.



ELECTRICAL CHARACTERISTICS

	SPM135P-NM	SPM130P-NM	SPM125P-NM	SPM120P-NM
Power at STC(P _m)	135W	130W	125W	120W
Maximum power voltage(V _{pm})	18.3V	18.1V	18.0V	17.3V
Maximum power current(I _{pm})	7.56A	7.38A	7.11A	7.0A
Open circuit voltage(V _{oc})	22.2V	22.0V	21.9V	21.9V
Short circuit current(I _{sc})	8.08A	7.89A	7.68A	7.60A
Tolerance	±5%	±5%	±5%	±5%
Module efficiency	13.47%	12.97%	12.47%	11.98%
Maximum system voltage	1000V DC			
Standard test conditions	Temperature 25°C, Irradiance 1000W/m ² , AM=1.5			
Temperature coefficient	I _{sc} :0.05%/K	V _{oc} :-0.36%/K	P _{max} :-0.46%/K	

Specifications

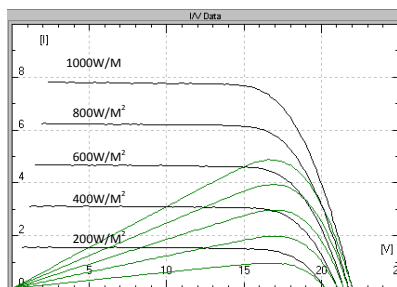
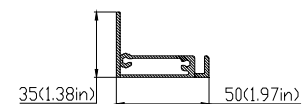
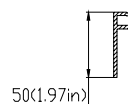
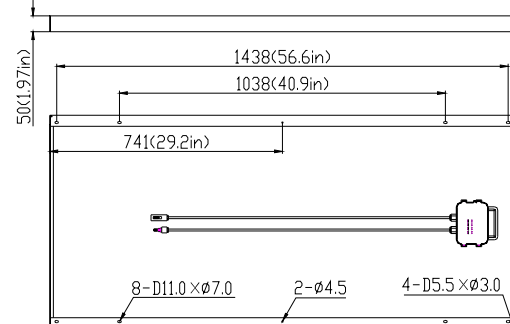
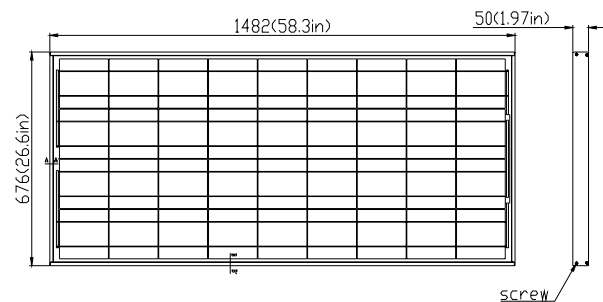
Cell	Polycrystalline silicon solar cell, (156mmx156mm)
No. of cell and connection	36 (4x9)
Dimension	1482mm (58.3in) x676mm (26.6in) x50mm (1.97in)
Weight	12KG

AMBIENT CONDITIONS

Operating Temperature	-40°C to +85°C
Storage Humidity	<90%

Output

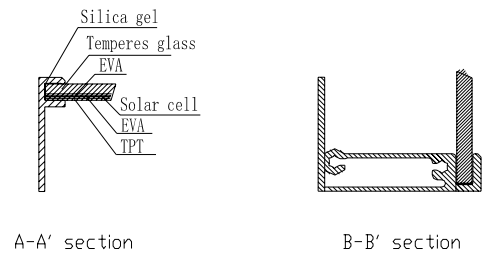
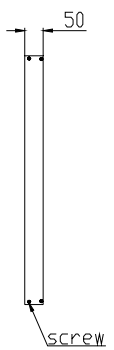
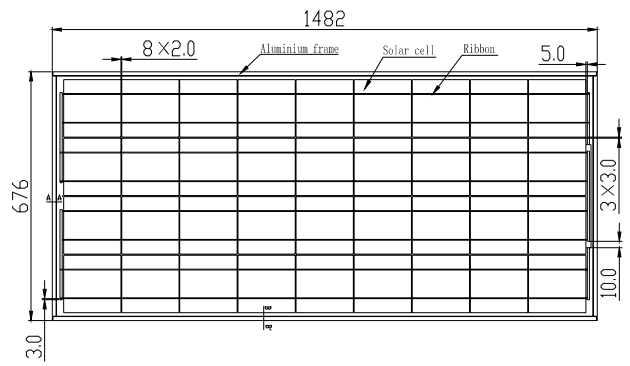
Type of output terminal	Junction box
Cable	Length 900mm

IV CURVES

OUTLINE DIMENSIONS


A-A' section

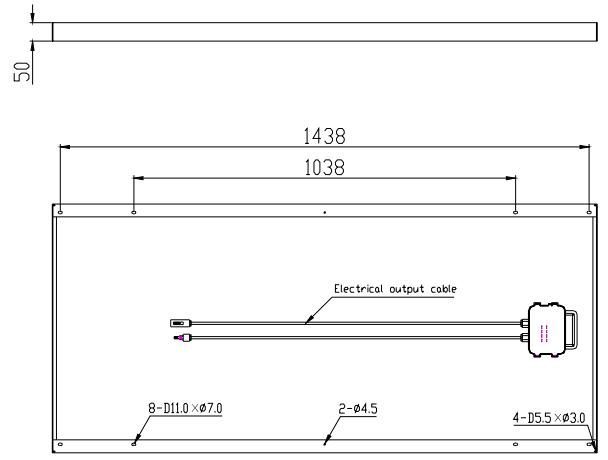
B-B' section





Scale 10:1

Electrical data				
Power at stc(p _m)	135W	130W	125W	120W
Maximum power voltage(V _{pm})	18.3V	18.1V	18.0V	17.3V
Maximum power current(I _{pm})	7.56A	7.38A	7.11A	7.07A
Open circuit voltage (V _{oc})	22.2V	22.0V	21.9V	21.8V
Short circuit current (I _{sc})	8.08A	7.89A	7.68A	7.60A
Module efficiency	13.47%	12.97%	12.47%	11.98%



Parts Name	Description	Unit	Quantity
Temperess glass	32mm Temperess Glass 1478×672	pcs	1
EVA	EAV Film T:0.46MM	M ²	21
Ribbon	60%Sn 40%Pb Ribbon	Kg	0.092
Solar cell	156mm×156mm polycrystalline cell	wp	120
TPT	TPT film T:0.35mm	M ²	12
Aluminium frame	50mmx35mm	M	4.3
Screw	Stainless steel 304U	pcs	8
Junction box	cablc:900mm	SET	1

XXXX±2	X* ±0.2
XXX ±1	X* ±0.1
XX ±0.5	XX*±0.05
X ±0.2	
.XX ±0.1	

Solartech Power, Inc

UNITS: MM	PART NO: xxx	TITLE: SMP120P-NM PV Module
APPD BY	CHECK BY	DWG NO: SPM120PAA0G100
DRAWN BY		SCALE SHEET REV. NONE 1/1 A

Product picture



Front



Back



Anodize aluminum



Junction