

## SPM020P-AC-B

### Multicrystalline Silicon Photovoltaic Module

#### FEATURE:

- TUV certification
- UL certification
- High power module using 6" Multicrystalline solar cell.
- Using low iron tempered glass, EVA laminate PET backsheet.
- Anodize aluminum frame protected.
- 10 years limited warranty of 90% power output and 25 years limited warranty of 80% power output.

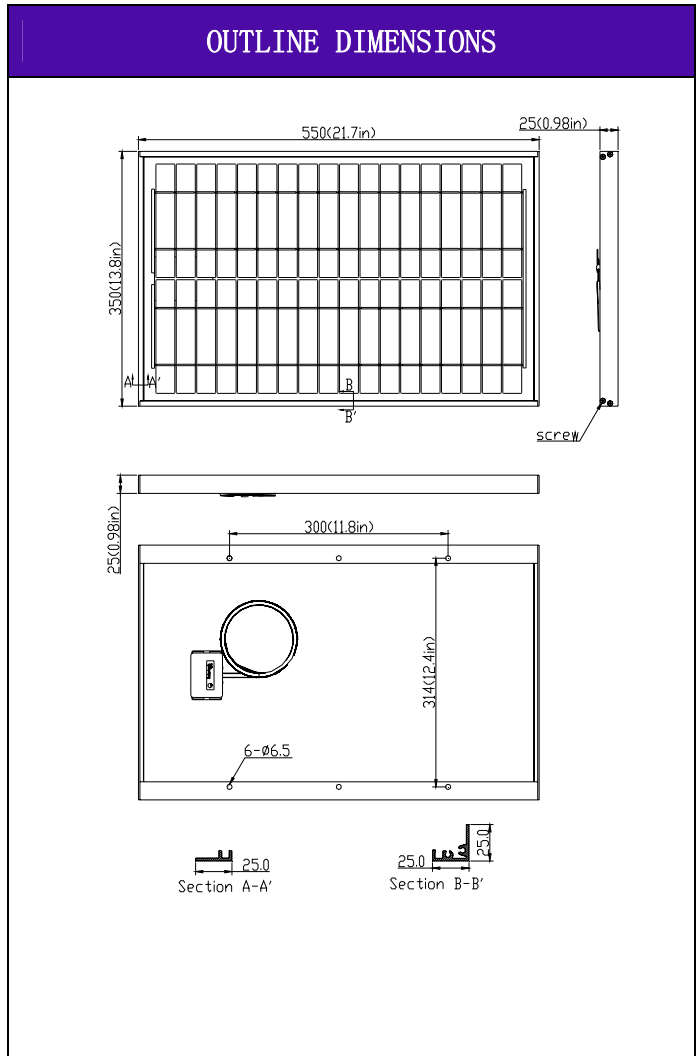
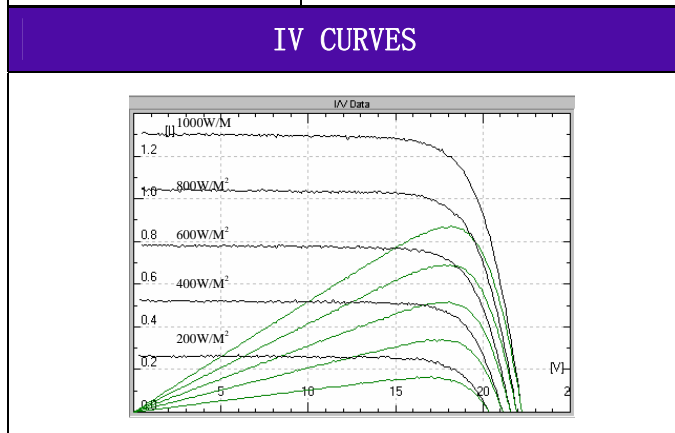


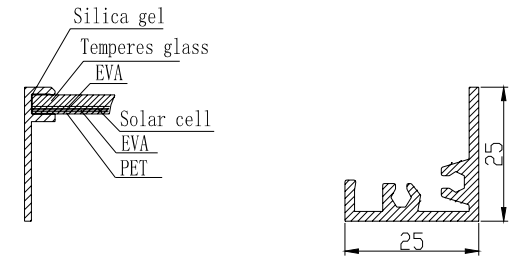
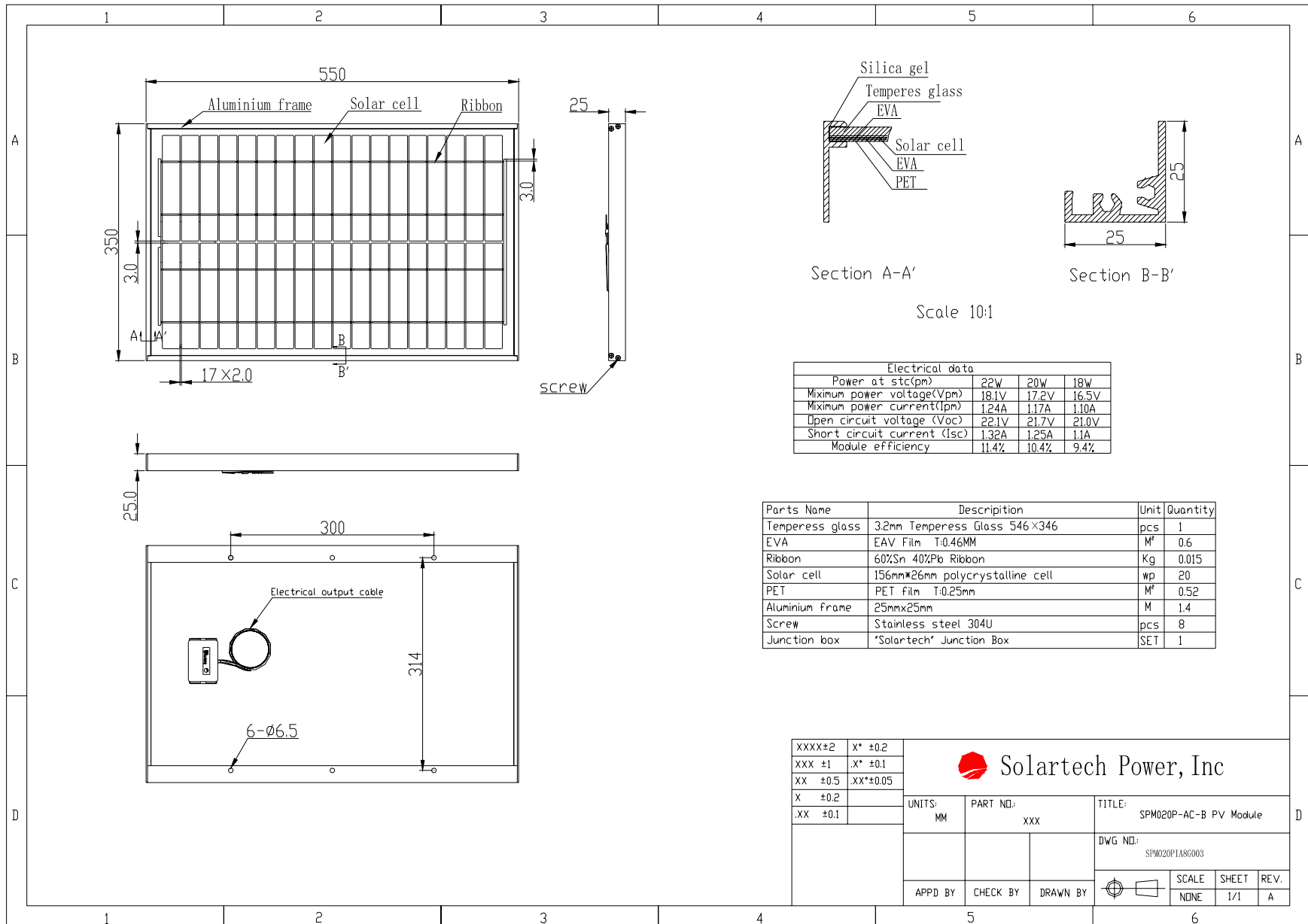
ELECTRICAL CHARACTERISTICS			
	SPM022P-AC-B	SPM020P-AC-B	SPM018P-AC-B
Power at STC(P <sub>m</sub> )	22W	20W	18W
Maximum power voltage(V <sub>pm</sub> )	18.1V	17.2V	16.5V
Maximum power current(I <sub>pm</sub> )	1.24A	1.17A	1.10A
Open circuit voltage(V <sub>oc</sub> )	22.1V	21.7V	21.0V
Short circuit current(I <sub>sc</sub> )	1.32A	1.25A	1.1A
Tolerance	±5%	±5%	±5%
Module efficiency	11.4%	10.4%	9.4%
Maximum system voltage	1000V DC		
Standard test conditions	Temperature 25°C, Irradiance 1000W/m <sup>2</sup> , AM=1.5		
Temperature coefficient	I <sub>sc</sub> :0.05%/K	V <sub>oc</sub> :-0.36%/K	P <sub>max</sub> :-0.46%/K

Specifications	
Cell	Multicrystalline silicon solar cell, (156mmx26mm)
No. of cell and connection	36 (2x18)
Dimension	550mm (21.7in) x350mm (13.8in)x25mm (0.98in)
Weight	2.8KG

AMBIENT CONDITIONS	
Operating Temperature	-40°C to +85°C
Storage Humidity	<90%

OUT PUT	
Type of output terminal	Junction box
Cable	Length 3000mm

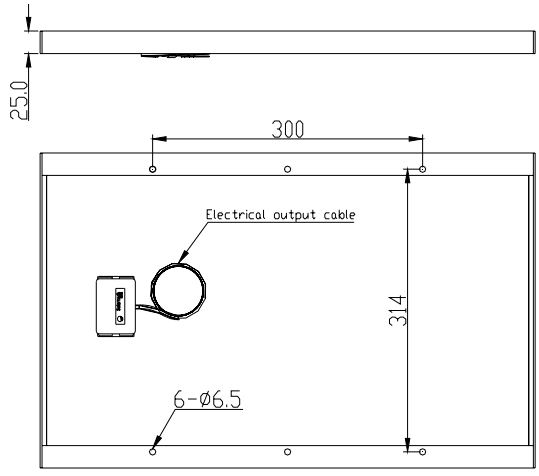




Section A-A'  
Section B-B'  
Scale 10:1

Electrical data			
Power at stc(p <sub>m</sub> )	22W	20W	18W
Maximum power voltage(V <sub>pm</sub> )	18.1V	17.2V	16.5V
Maximum power current(I <sub>pm</sub> )	1.24A	1.17A	1.10A
Open circuit voltage (V <sub>oc</sub> )	22.1V	21.7V	21.0V
Short circuit current (I <sub>sc</sub> )	1.32A	1.25A	1.1A
Module efficiency	11.4%	10.4%	9.4%

Parts Name	Description	Unit	Quantity
Temperess glass	3.2mm Temperess Glass 546×346	pcs	1
EVA	EAV Film T:0.46MM	M <sup>2</sup>	0.6
Ribbon	60%Sn 40%Pb Ribbon	Kg	0.015
Solar cell	156mm×26mm polycrystalline cell	wp	20
PET	PET film T:0.25mm	M <sup>2</sup>	0.52
Aluminium frame	25mm×25mm	M	1.4
Screw	Stainless steel 304U	pcs	8
Junction box	*Solartech* Junction Box	SET	1



XXXX±2	X* ±0.2		<b>Solartech Power, Inc</b>								
XXX ±1	.X* ±0.1										
XX ±0.5	XX*±0.05										
X ±0.2		UNITS:	PART NO:	TITLE:	SPM020P-AC-B PV Module						
.XX ±0.1		MM	XXX	DWG NO:							
				SPM020P1ASG003							
		APPD BY	CHECK BY	DRAWN BY	<table border="1"> <tr> <td>SCALE</td> <td>SHEET</td> <td>REV.</td> </tr> <tr> <td>NONE</td> <td>1/1</td> <td>A</td> </tr> </table>	SCALE	SHEET	REV.	NONE	1/1	A
SCALE	SHEET	REV.									
NONE	1/1	A									

# Product picture



Front



Back



Anodize aluminum



Junction



Cable



Accessory