

## SPM040P-A

### Multicrystalline Silicon Photovoltaic Module

#### FEATURE:

- TUV certification
- UL certification
- High power module using 6" Multicrystalline solar cell.
- Using low iron tempered glass, EVA laminate TPT backsheet.
- Anodize aluminum frame protected.
- 10 years limited warranty of 90% power output and 25 years limited warranty of 80% power output.
- diodes to avoid power decreasing by shade.
- 576 pcs in 20' container, 1440 pcs in 40' container.( 6 pcs in one carton)



Solartech Power, Inc  
13811 Bentley Place, Cerritos, CA 90703  
Tel:562-926-1089 Fax:562-926-1021  
[www.solartechpower.com](http://www.solartechpower.com)  
[sales@solartechpower.com](mailto:sales@solartechpower.com)

**ELECTRICAL CHARACTERISTICS**

	SPM045P-A	SPM040P-A
Power at STC (Pm)	45W	40W
Maximum power voltage (Vpm)	18.2V	17.2V
Maximum power current (Ipm)	2.45A	2.4A
Open circuit voltage (Voc)	22.4V	22.0V
Short circuit current (Isc)	2.65A	2.58A
Tolerance	±5%	±5%
Module efficiency	11.9%	10.64%
Maximum system voltage	1000V DC	
Standard test conditions	Temperature 25°C, Irradiance 1000W/m <sup>2</sup> , AM=1.5	
Temperature coefficient	Isc: 0.07%/K	Voc: -0.36%/K Pmax: -0.45%/K

**Specifications**

Cell	Multicrystalline silicon solar cell, (156mmx52mm)
No. of cell and connection	36 (4x9)
Dimension	665mmx537mmx30mm
Weight	4.5KG

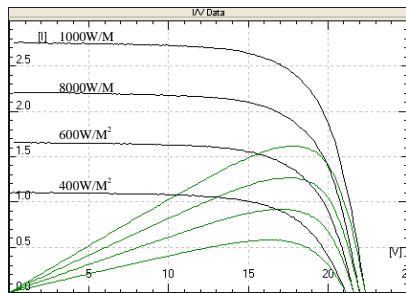
**AMBIENT CONDITIONS**

Operating Temperature	-40°C to +85°C
Storage Humidity	<90%

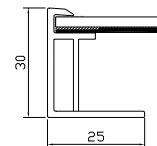
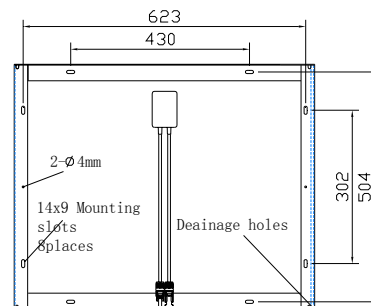
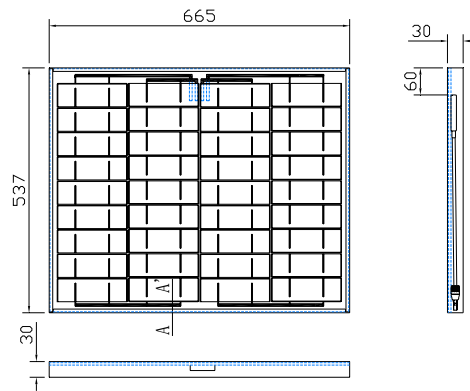
**Output**

Type of output terminal	Junction box
Cable	Length 3000mm

**IV CURVES**



**OUTLINE DIMENSIONS**



Section A-A

