

SPM050P-NM

Multicrystalline Silicon Photovoltaic Module

FEATURE:

- TUV certification
- UL certification
- High power module using 6" Multicrystalline solar cell.
- Using low iron tempered glass, EVA laminate TPT backsheet.
- Anodize aluminum frame protected.
- 10 years limited warranty of 90% power output and 25 years limited warranty of 80% power output.
- diodes to avoid power decreasing by shade.



ELECTRICAL CHARACTERISTICS

| | SPM055P-NM | SPM050P-NM | |
|-----------------------------|--|---------------|----------------|
| Power at STC (Pm) | 55W | 50W | |
| Maximum power voltage (Vpm) | 18.18V | 17.46V | |
| Maximum power current (Ipm) | 3.1A | 2.98A | |
| Open circuit voltage (Voc) | 22.1V | 21.89V | |
| Short circuit current (Isc) | 3.31A | 3.23A | |
| Tolerance | ±5% | ±5% | |
| Module efficiency | 13.2% | 12.0% | |
| Maximum system voltage | 1000V DC | | |
| Standard test conditions | Temperature 25°C, Irradiance 1000W/m ² , AM=1.5 | | |
| Temperature coefficient | Isc:0.05%/ °C | Voc:-0.36%/°C | Pmax:-0.46%/°C |

Specifications

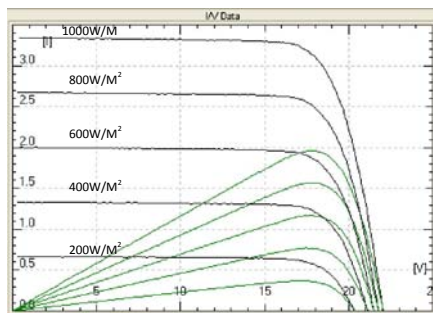
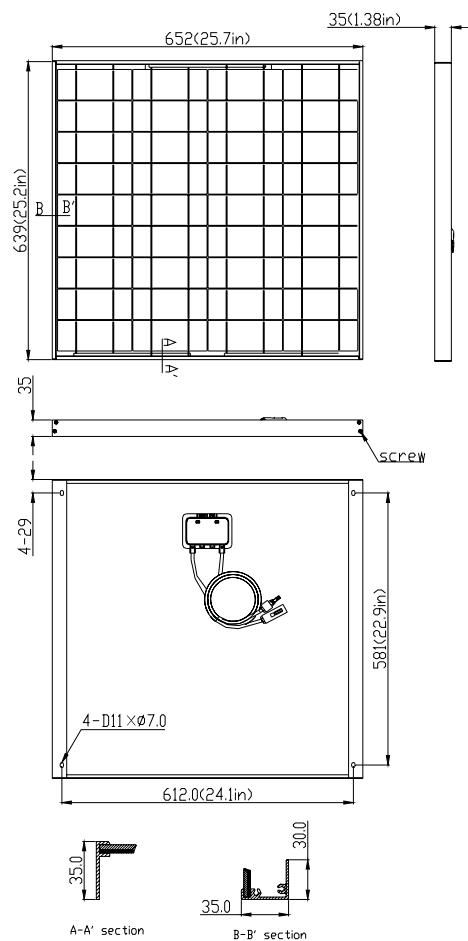
| | |
|----------------------------|---|
| Cell | Multicrystalline silicon solar cell, (156mmx65mm) |
| No. of cell and connection | 36 (4x9) |
| Dimension | 652 (25.7in) mmx639 (25.2in) mmx35 (1.38in) mm |
| Weight | 6.0KG |

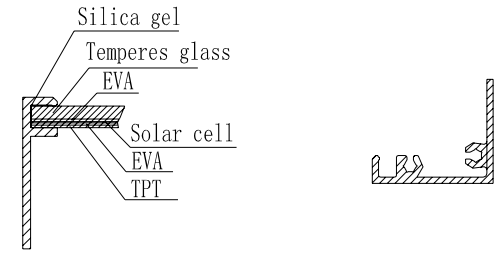
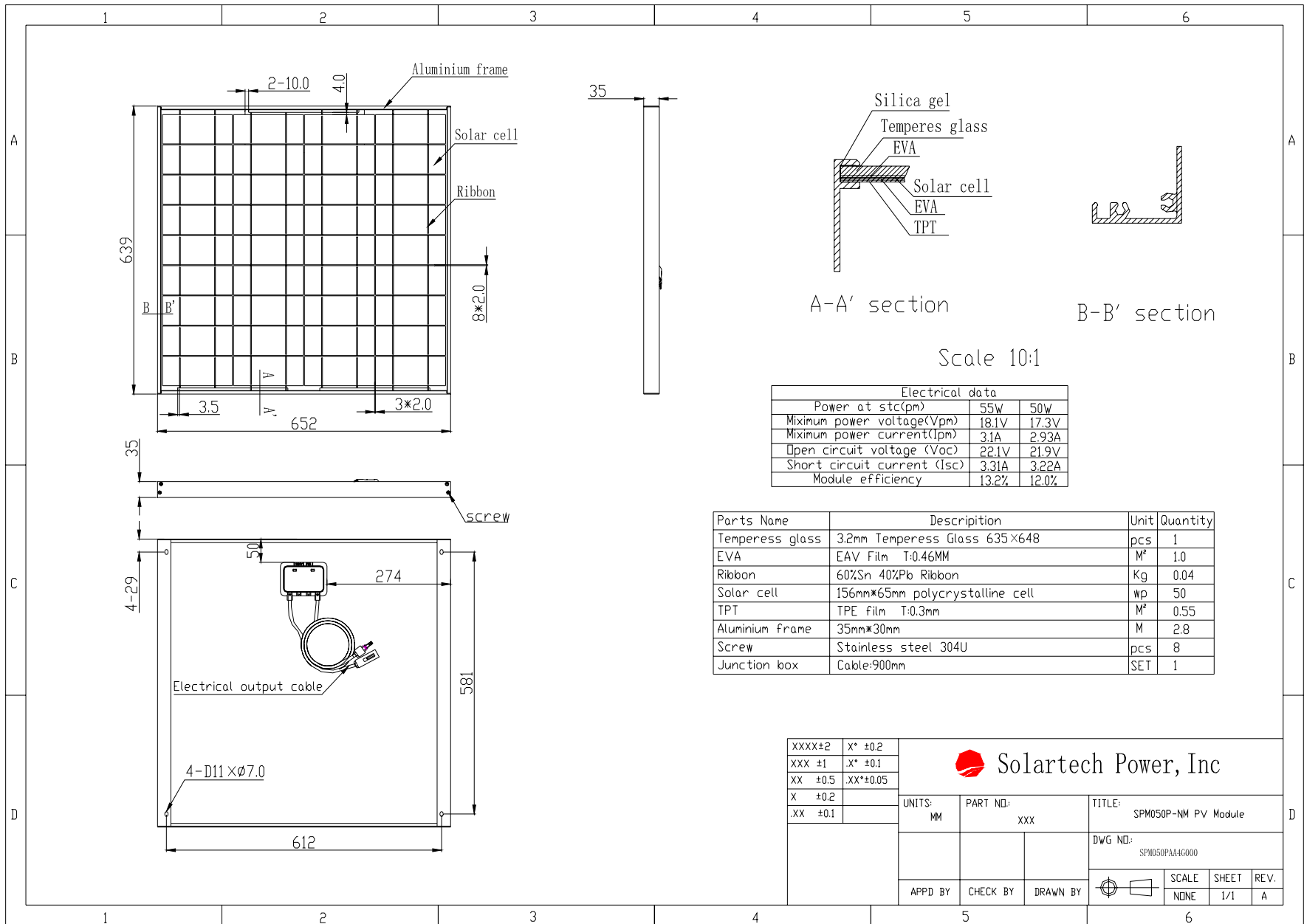
AMBIENT CONDITIONS

| | |
|-----------------------|----------------|
| Operating Temperature | -40°C to +85°C |
| Storage Humidity | <90% |

Output

| | |
|-------------------------|--------------|
| Type of output terminal | Junction box |
| Cable | Length 900mm |

IV CURVES

OUTLINE DIMENSIONS




A-A' section B-B' section
Scale 10:1

| Electrical data | | |
|--|-------|-------|
| Power at stc(p _m) | 55W | 50W |
| Maximum power voltage(V _{pm}) | 18.1V | 17.3V |
| Maximum power current(I _{pm}) | 3.1A | 2.93A |
| Open circuit voltage (V _{oc}) | 22.1V | 21.9V |
| Short circuit current (I _{sc}) | 3.31A | 3.22A |
| Module efficiency | 13.2% | 12.0% |

| Parts Name | Description | Unit | Quantity |
|-----------------|---------------------------------|----------------|----------|
| Temperess glass | 3.2mm Temperess Glass 635×648 | pcs | 1 |
| EVA | EAV Film T:0.46MM | M ² | 1.0 |
| Ribbon | 60%Sn 40%Pb Ribbon | Kg | 0.04 |
| Solar cell | 156mm*65mm polycrystalline cell | wp | 50 |
| TPT | TPE film T:0.3mm | M ² | 0.55 |
| Aluminium frame | 35mm*30mm | M | 2.8 |
| Screw | Stainless steel 304U | pcs | 8 |
| Junction box | Cable:900mm | SET | 1 |

| | | | | | |
|----------|-----------|-----------------------------|---------|----------|-------------------------------------|
| XXXX±2 | X* ±0.2 | Solartech Power, Inc | UNITS: | PART NO: | TITLE: |
| XXX ±1 | .X* ±0.1 | | MM | XXX | SPM050P-NM PV Module |
| XX ±0.5 | .XX*±0.05 | | | | DWG NO: |
| X ±0.2 | | | | | SPM050PAH4000 |
| .XX ±0.1 | | | APPD BY | CHECK BY | DRAWN BY |
| | | | | | SCALE: NONE SHEET: 1/1 REV: A |

Product picture



Front



Back



Anodize aluminum



Junction