

SPM005P-AT-B

Multicrystalline Silicon Photovoltaic Module

FEATURE:

- TUV certification
- UL certification
- High power module using 6" Multicrystalline solar cell.
- Using low iron tempered glass, EVA laminate PET backsheet.
- Anodize aluminum frame protected.
- 10 years limited warranty of 90% power output and 25 years limited warranty of 80% power output.

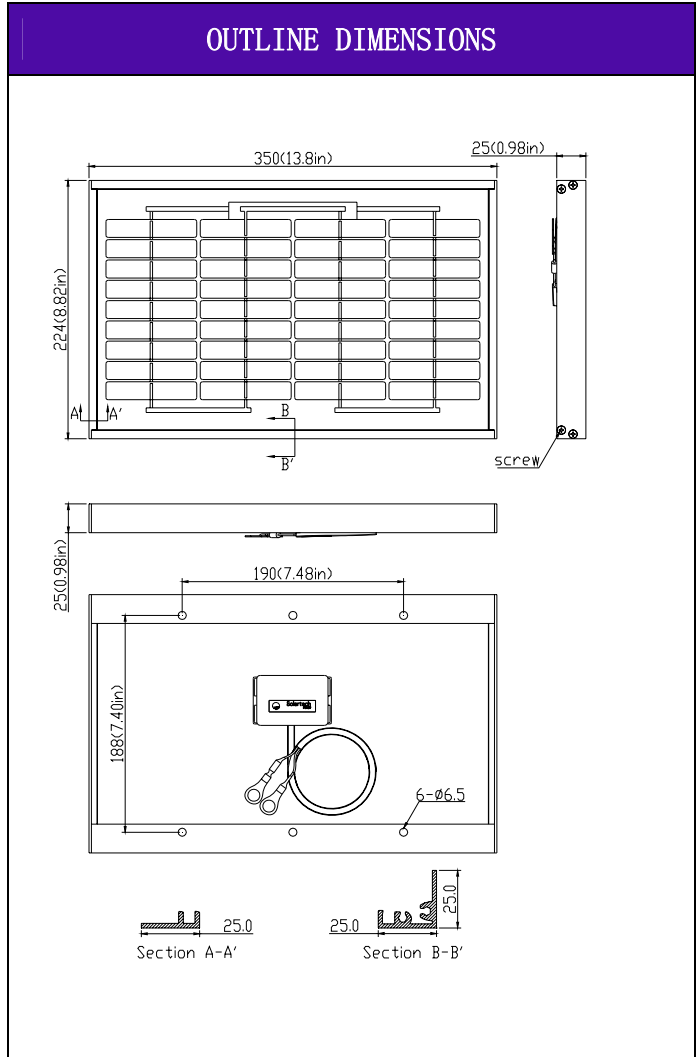
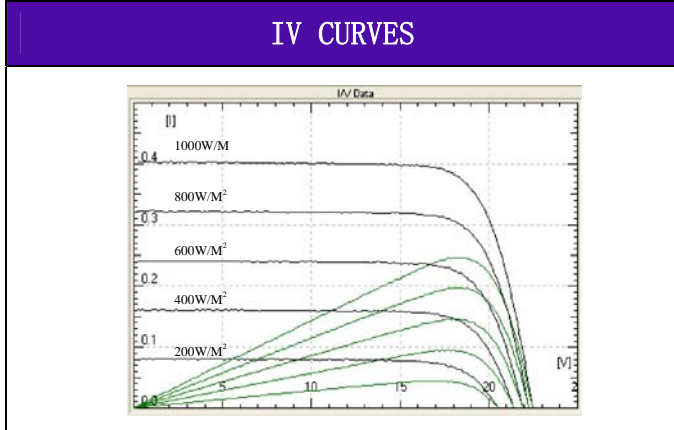


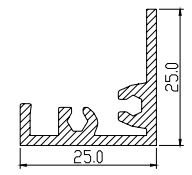
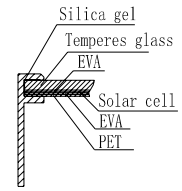
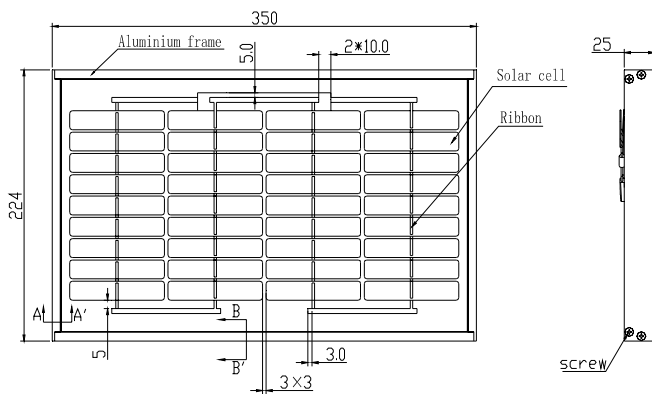
ELECTRICAL CHARACTERISTICS			
	SPM006P-AT-B	SPM005P-AT-B	SPM004P-AT-B
Power at STC(P _m)	6W	5W	4W
Maximum power voltage(V _{pm})	17.3V	17.1V	16.2V
Maximum power current(I _{pm})	0.35A	0.29A	0.24A
Open circuit voltage(V _{oc})	21.8V	21.7V	21
Short circuit current(I _{sc})	0.38A	0.31A	0.28
Tolerance	±5%	±5%	±5%
Module efficiency	7.7%	6.4%	5.1%
Maximum system voltage	1000V DC		
Standard test conditions	Temperature 25°C, Irradiance 1000W/m ² , AM=1.5		
Temperature coefficient	I _{sc} :0.05%/K	V _{oc} :-0.36%/K	P _{max} :-0.46%/K

Specifications	
Cell	Multicrystalline silicon solar cell, (78mmx15.6mm)
No. of cell and connection	36(4x9)
Dimension	350mm (13.8in) x224mm(8.82in)x25mm(0.98in)
Weight	1.3KG

AMBIENT CONDITIONS	
Operating Temperature	-40°C to +85°C
Storage Humidity	<90%

OUT PUT	
Type of output terminal	Junction box+ "0" terminal
Cable	Length 3000mm



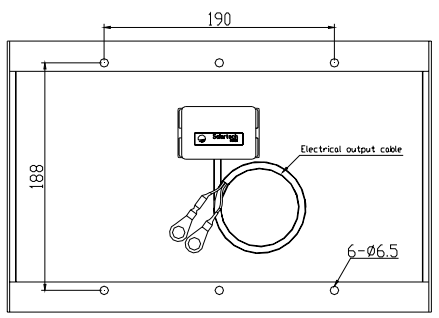


A-A' section

Section B-B'

Scale 10:1

Electrical data			
Power at stc(pm)	6W	5W	4W
Maximum power voltage(V _{mp})	17.30V	17.1V	16.2V
Maximum power current(I _{mp})	0.35A	0.29A	0.24A
Open circuit voltage (V _{oc})	21.8V	21.7V	21.0V
Short circuit current (I _{sc})	0.38A	0.31A	0.28A
Module efficiency	7.7%	6.4%	5.1%



Parts Name	Description	Unit	Quantity
Temperess glass	3.2mm Temperess Glass346mmX220mm	pcs	1
EVA	EAV Film T:0.46MM	M ²	0.18
Ribbon	60%Sn 40%Pb Ribbon	Kg	0.008
Solar cell	78mmX15.6mm polycrystalline cell	wp	5
PET	PET film T:0.25mm	M ²	0.1
Aluminium frame	25mmx25mm	M	1.2
Screw	Stainless steel 304U	pcs	8
Junction box	"Solartech" Junction Box+3000mm cable+diode+o*terminal	SET	1

XXXX±2	X* ±0.2
XXX ±1	.X* ±0.1
XX ±0.5	.XX*±0.05
X ±0.2	
.XX ±0.1	

 Solartech Power, Inc

UNITS: MM	PART NO.: XXX	TITLE: SPM005P-AT-B PV Module
APPD BY:	CHECK BY:	DWG NO.: SPM005PAA6G002
DRAWN BY:	SCALE NONE	SHEET 1/1
		REV. A

Product picture



Front



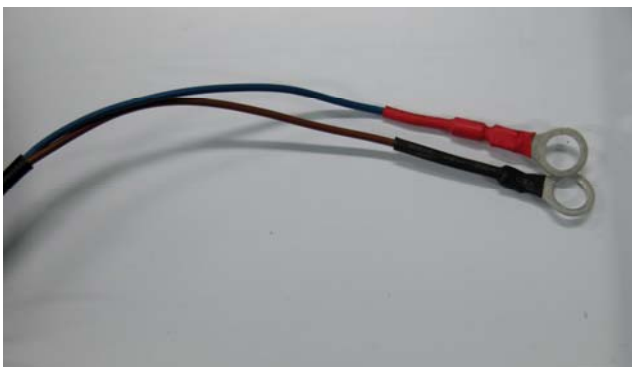
Back



Anodized aluminium



Junction



Output terminal



Accessory