

## SPM005P-AT

### Multicrystalline Silicon Photovoltaic Module

#### FEATURE:

- TUV certification
- UL certification
- High power module using 6" Multicrystalline solar cell.
- Using low iron tempered glass, EVA laminate PET backsheet.
- Anodize aluminum frame protected.
- 10 years limited warranty of 90% power output and 25 years limited warranty of 80% power output.

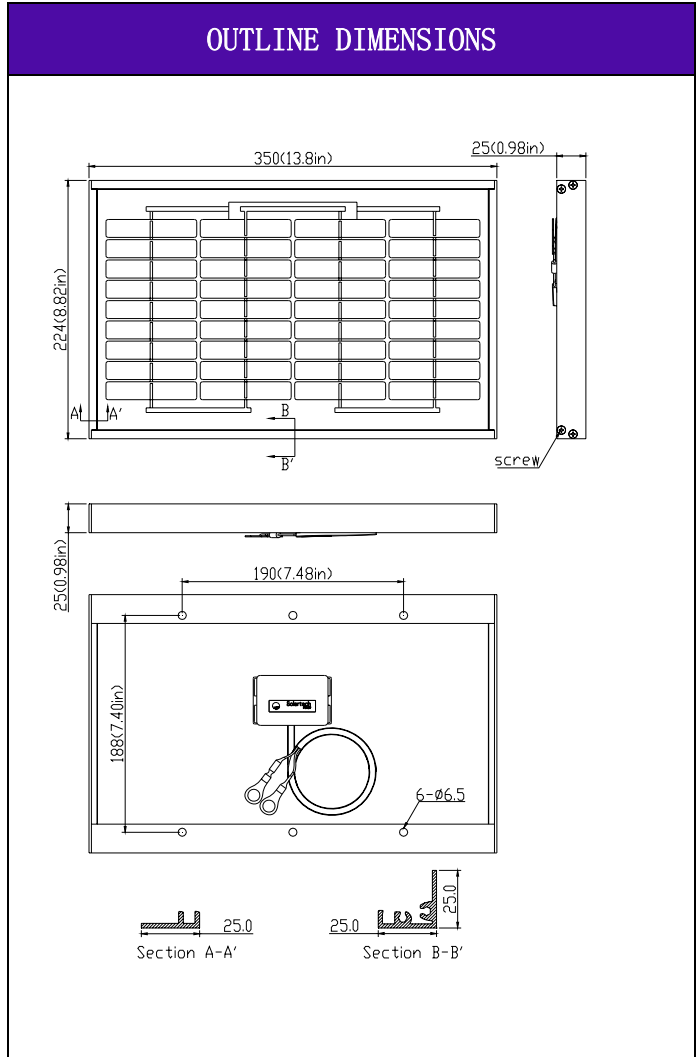
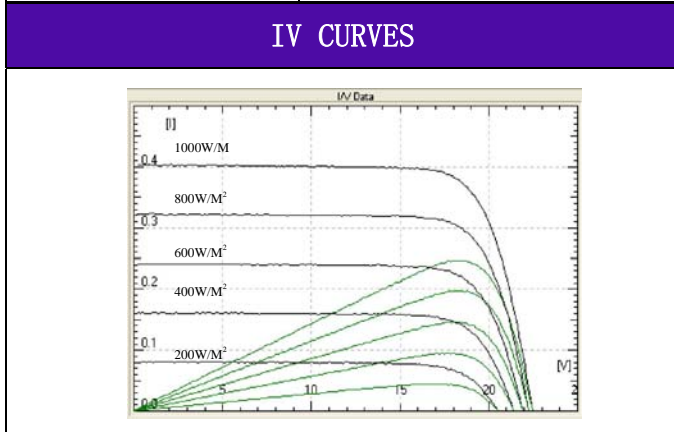


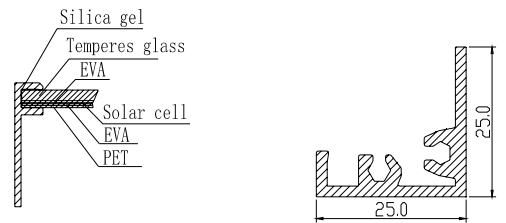
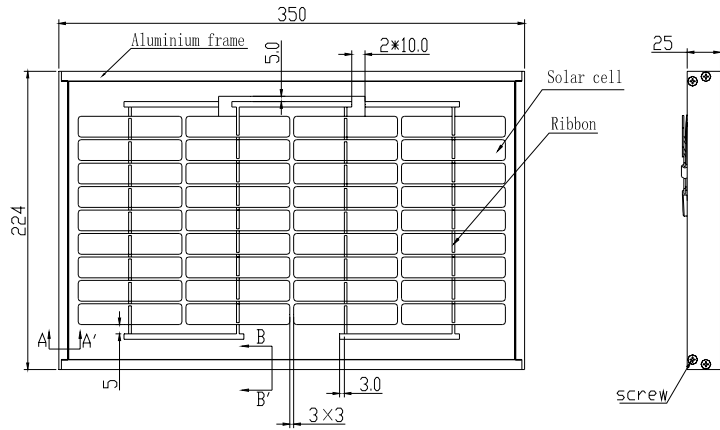
ELECTRICAL CHARACTERISTICS			
	SPM006P-AT	SPM005P-AT	SPM004P-AT
Power at STC (Pm)	6W	5W	4W
Maximum power voltage (Vpm)	17.3V	17.1V	16.2V
Maximum power current (Ipm)	0.35A	0.29A	0.24A
Open circuit voltage (Voc)	21.8V	21.7V	21
Short circuit current (Isc)	0.38A	0.31A	0.28
Tolerance	±5%	±5%	±5%
Module efficiency	7.7%	6.4%	5.1%
Maximum system voltage	1000V DC		
Standard test conditions	Temperature 25°C, Irradiance 1000W/m <sup>2</sup> , AM=1.5		
Temperature coefficient	Isc:0.05%/K	Voc:-0.36%/K	Pmax:-0.46%/K

Specifications	
Cell	Multicrystalline silicon solar cell, (78mmx15.6mm)
No. of cell and connection	36(4x9)
Dimension	350mm (13.8in) x224mm(8.82in)x25mm(0.98in)
Weight	1.3KG

AMBIENT CONDITIONS	
Operating Temperature	-40°C to +85°C
Storage Humidity	<90%

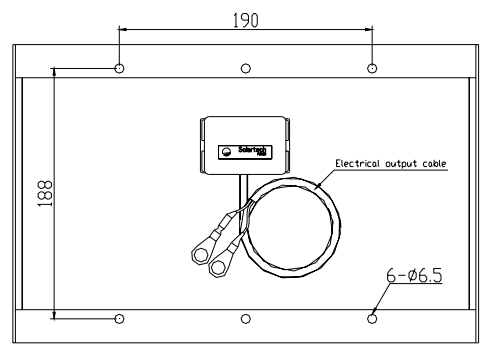
OUT PUT	
Type of output terminal	Junction box + "0" terminal
Cable	Length 3000mm





A-A' section  
Section B-B'  
Scale 10:1

Electrical data			
Power at stc(p <sub>m</sub> )	6W	5W	4W
Maximum power voltage(V <sub>pm</sub> )	17.30V	17.1V	16.2V
Maximum power current(I <sub>pm</sub> )	0.35A	0.29A	0.24A
Open circuit voltage (V <sub>oc</sub> )	21.8V	21.7V	21.0V
Short circuit current (I <sub>sc</sub> )	0.38A	0.31A	0.28A
Module efficiency	7.7%	6.4%	5.1%



Parts Name	Description	Unit	Quantity
Temperess glass	3.2mm Temperess Glass346mm×220mm	pcs	1
EVA	EAV Film T:0.46MM	M <sup>2</sup>	0.18
Ribbon	60%Sn 40%Pb Ribbon	Kg	0.008
Solar cell	78mm×15.6mm polycrystalline cell	wp	5
PET	PET film T:0.25mm	M <sup>2</sup>	0.1
Aluminium frame	25mm×25mm	M	1.2
Screw	Stainless steel 304U	pcs	8
Junction box	*Solartech* Junction Box+3000mm cable+diode+o*terminal	SET	1

XXXX±2	X* ±0.2
XXX ±1	X* ±0.1
XX ±0.5	XX*±0.05
X ±0.2	
.XX ±0.1	

 Solartech Power, Inc

UNITS: MM	PART NO: xxx	TITLE: SPM005P-AT PV Module
DWG NO: SPM005PAA60002		
APPD BY	CHECK BY	DRAWN BY
SCALE: NONE	SHEET: 1/1	REV: A

## Product picture



Front



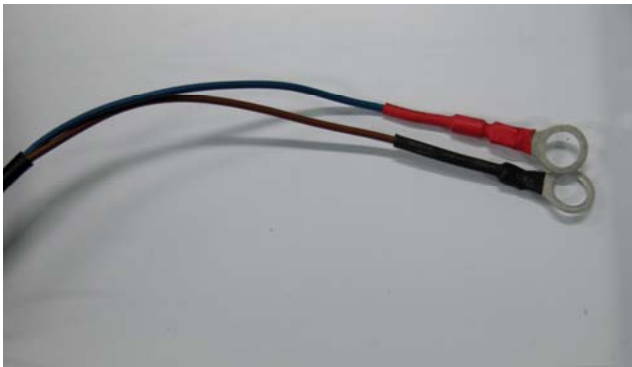
Back



Anodized aluminium



Junction



Cable