



SPM005P-DR

Multicrystalline Silicon Photovoltaic Module

FEATURE:

- TUV certification
- UL certification
- High power module using 6" Multicrystalline solar cell.
- Using low iron tempered glass, EVA laminate PET backsheet.
- Anodize aluminum frame protected.
- 10 years limited warranty of 90% power output and 25 years limited warranty of 80% power output.



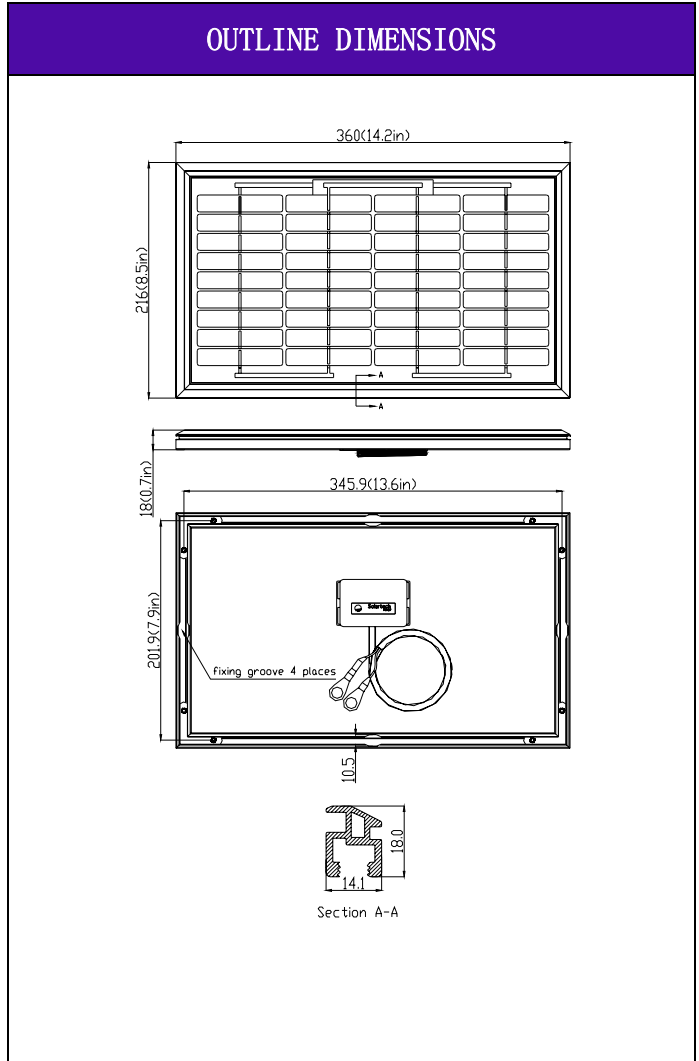
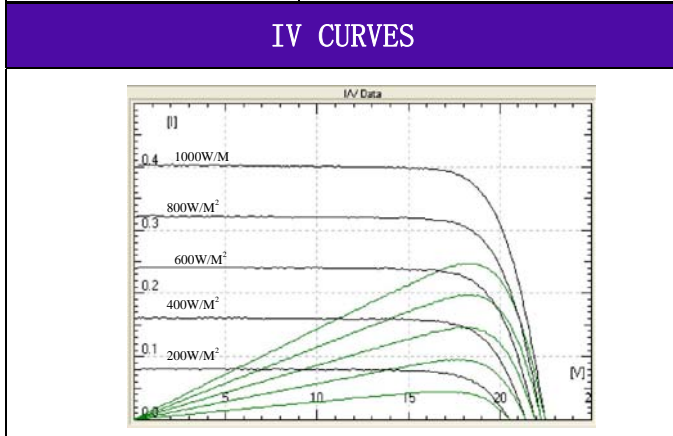
Solartech Power, Inc.
13811 Bentley Place, Cerritos, CA 90703
Tel:562-926-1089 Fax:562-926-1021
www.solartechpower.com
sales@solartechpower.com

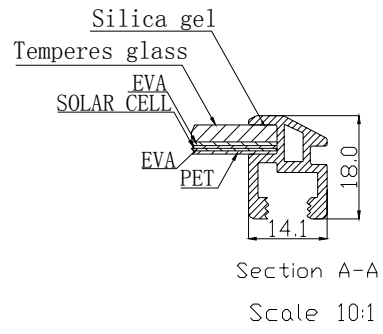
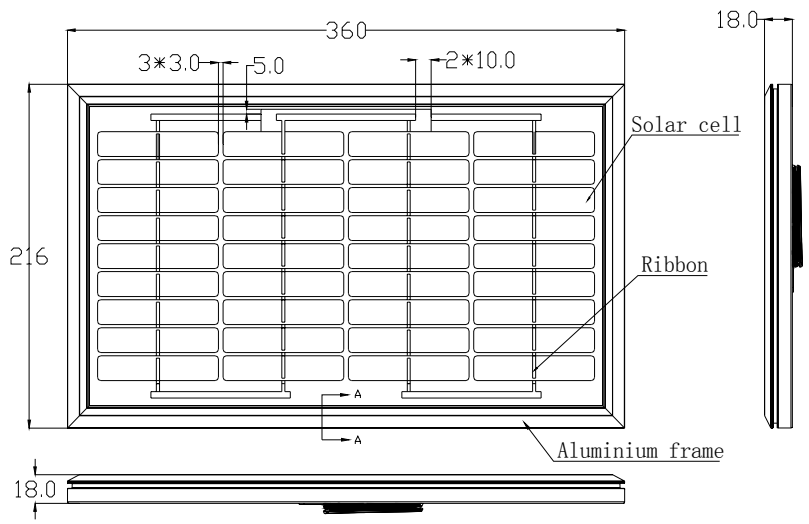
ELECTRICAL CHARACTERISTICS			
	SPM006P-DR	SPM005P-DR	SPM004P-DR
Power at STC(Pm)	6W	5W	4W
Maximum power voltage(Vpm)	17.3V	17.1V	16.2V
Maximum power current(Ipm)	0.35A	0.29A	0.24A
Open circuit voltage(Voc)	21.8V	21.7V	21
Short circuit current(Isc)	0.38A	0.31A	0.28
Tolerance	±5%	±5%	±5%
Module efficiency	7.7%	6.5%	5.1%
Maximum system voltage	1000V DC		
Standard test conditions	Temperature 25°C, Irradiance 1000W/m ² , AM=1.5		
Temperature coefficient	Isc:0.05%/K	Voc:-0.36%/K	Pmax:-0.46%/K

Specifications	
Cell	Multicrystalline silicon solar cell, (78mmx15.6mm)
No. of cell and connection	36(4x9)
Dimension	360mm (14.2in) x216mm(8.5in)x18mm(0.7in)
Weight	1.2 KG

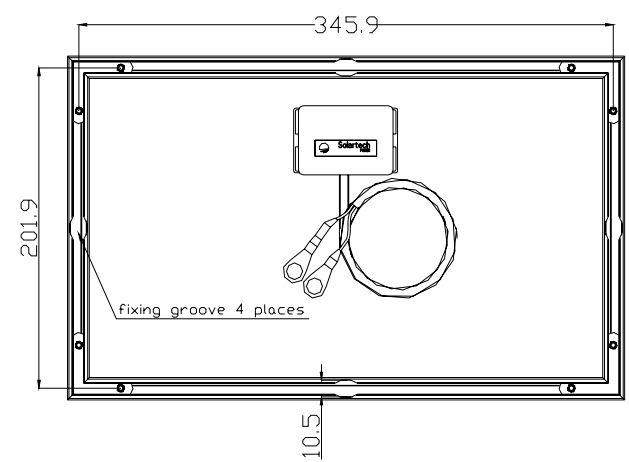
AMBIENT CONDITIONS	
Operating Temperature	-40°C to +85°C
Storage Humidity	<90%

OUT PUT	
Type of output terminal	Junction box+diode + "0" terminal
Cable	Length 3000mm





Electrical data			
Power at stc(p _m)	6W	5W	4W
Minimum power voltage(V _{pm})	17.30V	17.1V	16.2V
Minimum power current(I _{pm})	0.35A	0.29A	0.24A
Open circuit voltage (V _{oc})	21.8V	21.7V	21.0V
Short circuit current (I _{sc})	0.38A	0.31A	0.28A
Module efficiency	7.7%	6.4%	5.1%



Parts Name	Description	Unit	Quantity
Temperess glass	3.2mm Temperess Glass 342×198	pcs	1
EVA	EAV Film T:0.46MM	M	0.18
Ribbon	60%Sn 40%Pb Ribbon	Kg	0.008
Solar cell	156mm×156mm polycrystalline cell	wp	5
TPT	PET film T:0.25mm	M	0.1
Aluminium frame	18mm×14.1mm	M	1.2
Screw	Stainless steel 304U	pcs	8
Junction box	*Solartech* Junction Box Cable3000mm+diode+o*terminal	SET	1

XXXX ±2	X* ±0.2
XXX ±1	.X* ±0.1
XX ±0.5	.XX*±0.05
X ±0.2	
.XX ±0.1	

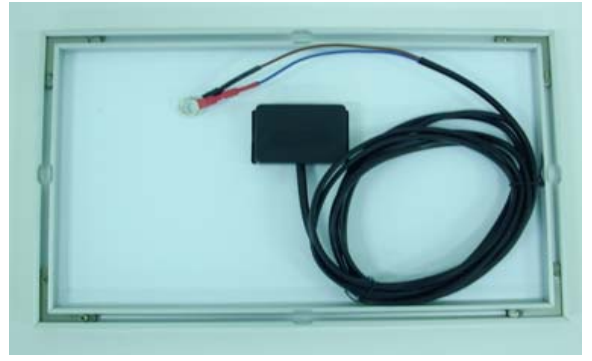
 Solartech Power, Inc

UNITS:	PART NO:	TITLE:
MM	XXX	SPM005P-DR PV Module
DWG NO:		
SPM005PAA6G001		
APPD BY	CHECK BY	DRAWN BY
SCALE	SHEET	REV.
NONE	1/1	A

Product picture



Front



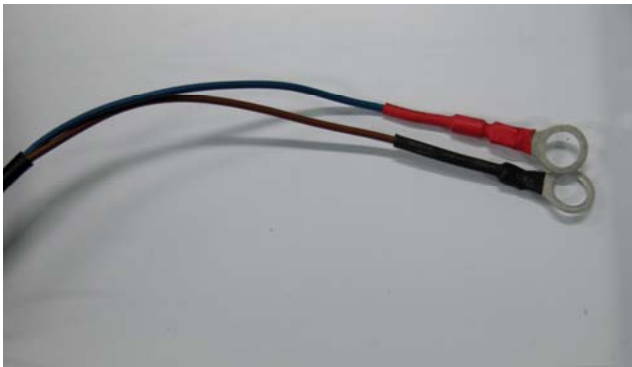
Back



Anodized aluminium



Junction



Output terminal